



CEP series

Multi-zone Amplifier

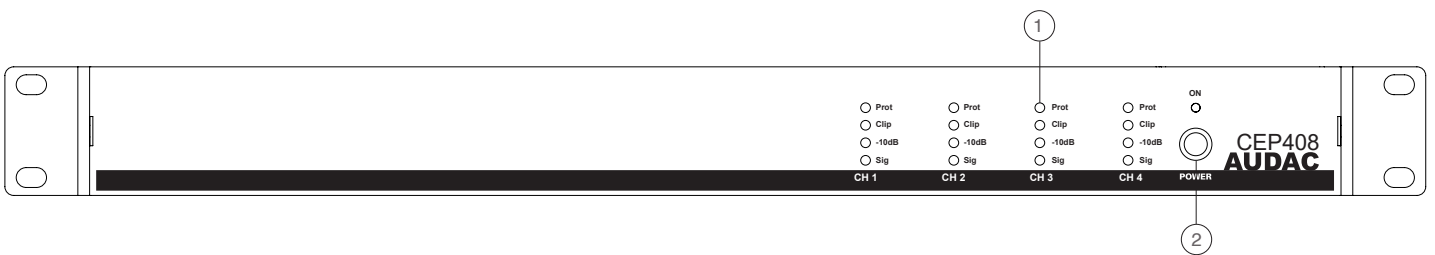


Quick start guide

The quick start guide gives you an overview of all the front and rear panel controls and connections on the CEP series amplifiers. The CEP series include the CEP408 (4 x 80 Watt) and the CEP 803 (8 x 30 Watt). It allows you to get started with the installation of it in your project.

To get a detailed explanation of all functions, please check the complete manual which is available on the web page <https://manuals.audac.eu/CEP408> or scan the QR code as shown on top of this page.

Front:



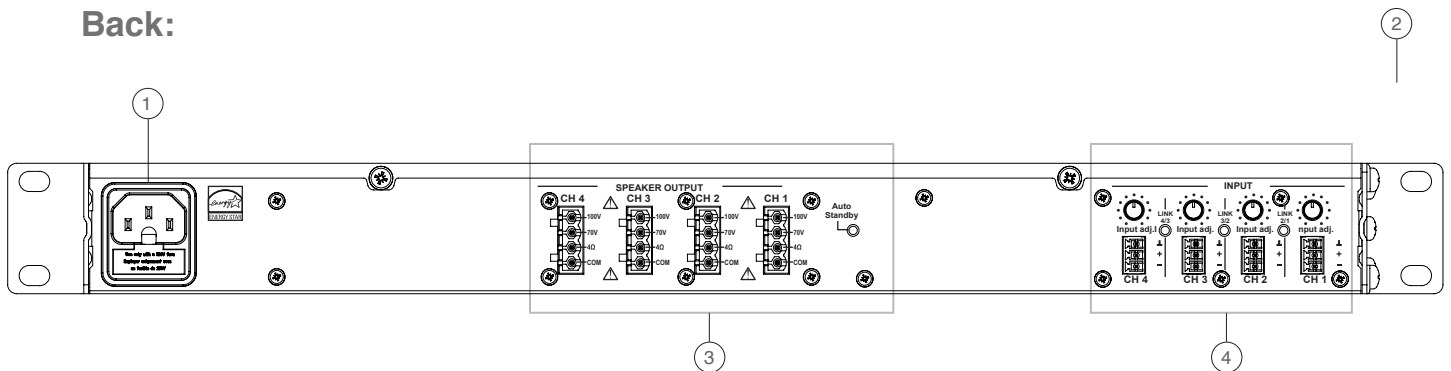
1) Indicator LED (VU):

The (VU) indicator leds indicate the output level and status of the amplifier (Signal / -10dB / Clip / Protect).

2) Power switch with LED:

Allows to power the system ON and OFF. The indicator LED illuminates in blue when switched ON. When switched to standby (energy-saving) mode, the power LED will illuminate in orange colour. The amplifier switches automatically to standby mode when no signal is available for 30 minutes.

Back:



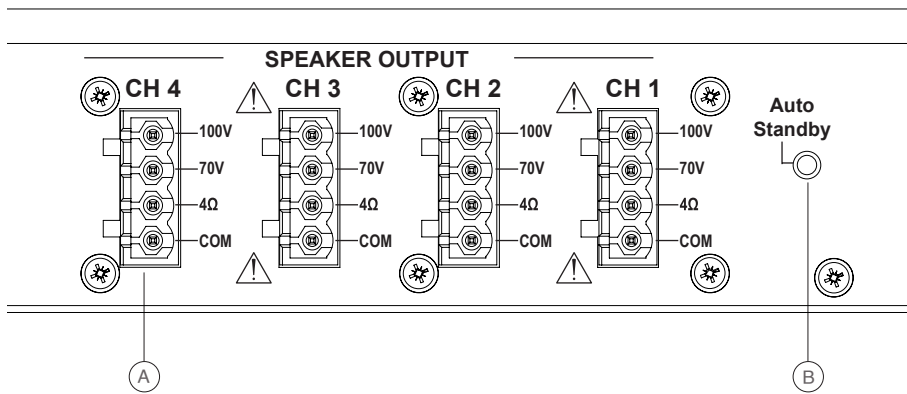
1) AC Power inlet:

The mains power supply (100-240V AC - 50/60 Hz) has to be applied to this AC power inlet. The connection is made by an IEC C14 power connector.

2) Rackspace enclosure

The CEP series is equipped with mounting options for a 19" 1HE rackspace.

3) Speaker output



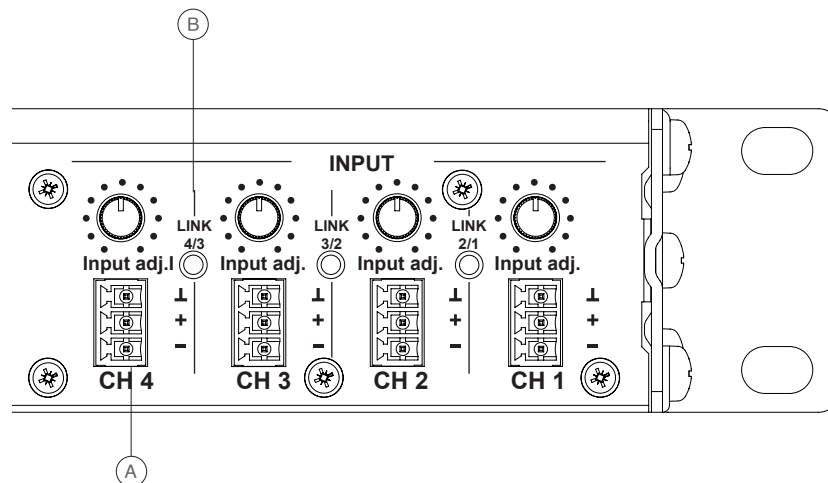
A) Loudspeaker output connections:

The loudspeaker output connections are performed using 4-pin terminal block connectors, making it possible to connect high and low impedance loudspeakers to the amplifier outputs. Selection can be made between low impedance (4Ω) or constant voltage (100V / 70V) depending on project requirements. More information about loudspeaker output connections is described in the 'connecting the system' chapter.

B) Auto standby switch:

The amplifier has an automatic standby function. The amplifier switches automatically to standby mode when no input signal is available for 30 minutes. If desired, the automatic standby mode can be disabled via this switch. The standby function is by default activated.

4) Input



A) Input connections:

Balanced mono sources can be connected to the 3.81mm Terminal block input. A gain control potentiometer adjusts the sensitivity within a range of 0 dB ~ 50 dB which allows connection for both microphone or line-level audio sources.

B) Linking switch :

Different input channels can be linked together. Pushing the button between two channels will link them to each other. This function eliminates the need to connect inputs with cables. By pushing the buttons sequentially, multiple channels can be linked together.

Connecting the system:

ATTENTION:

Make sure the power of the device is turned OFF before any connections or wiring adjustments are made. Disregarding this rule can lead to permanent damage of the equipment.

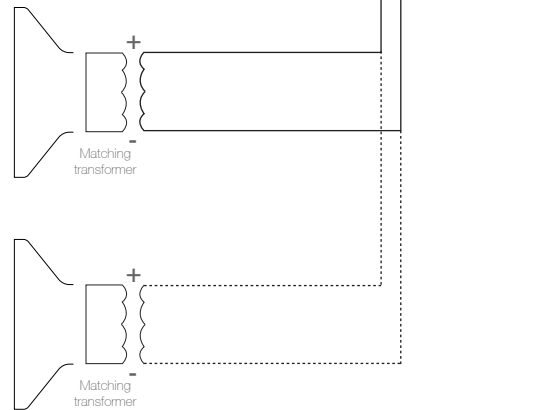
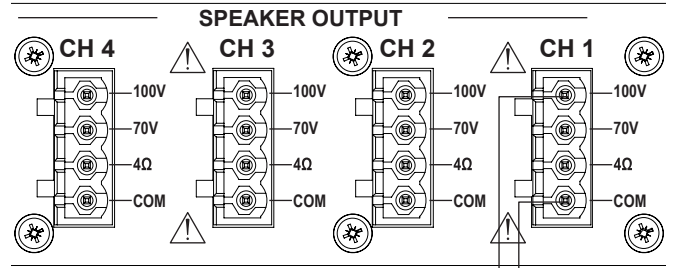
The loudspeakers should be connected to the 4-pin terminal block connectors on the rear panel of the amplifier. Selection can be made between low impedance (4Ω) or constant voltage (100V / 70V) depending on project requirements. The corresponding terminals and settings shall be chosen depending of the loudspeakers and installation type.

The table below shows the output voltage, impedance and maximum power load per channel for each amplifier model.

CEP408	4 Ω	62,5Ω/70V	125Ω/100V	80W
CEP803	4 Ω	167Ω/70V	333Ω/100V	30W

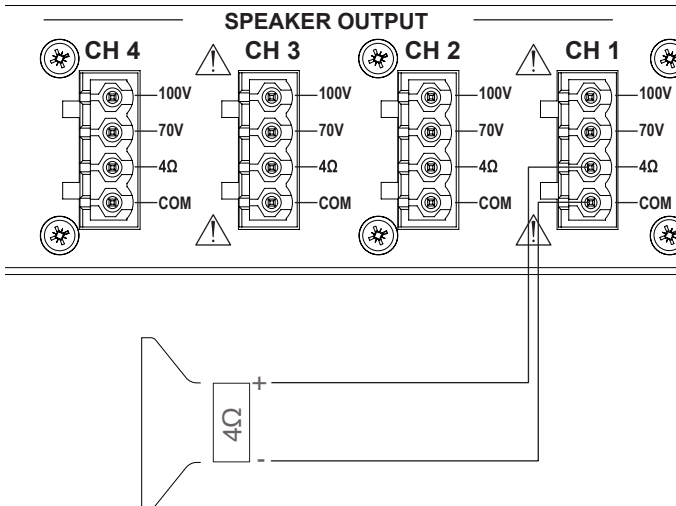
For operation in low impedance (4 ohm) mode, any loudspeaker (or combination) with an impedance higher or equal to 4Ω can be connected.

For operating using constant voltage (100V / 70V) audio distribution systems, all speakers shall be connected in parallel on the corresponding output terminals, non exceeding the maximum wattage / minimum impedance of the amplifier



Depending on the chosen connection method (low impedance or constant voltage), the output configuration setup shall be configured accordingly.

Do not connect high and low impedance speakers to one output at the same time.



CAUTION - SERVICING:

This product contains no user serviceable parts. Refer all servicing to qualified service personnel. Do not perform any servicing (unless you are qualified to).

EC DECLARATION OF CONFORMITY

This product conforms to all the essential requirements and further relevant specifications described in following directives: 2014/30/EU (EMC) and 2014/35/ EU (LVD)

ENERGY STAR



This product qualifies for ENERGY STAR in the "factory default" setting and this is the setting in which power savings will be achieved. Changing the factory default settings or enabling other features will increase power consumption that could exceed the limits necessary to qualify for ENERGY STAR rating. We want to help you save energy.

WASTE ELECTRICAL AND ELECTRONIC EQUIPMENT (WEEE)

The WEEE marking indicates that this product should not be disposed with regular household waste at the end of its life cycle. This regulation is created to prevent any possible harm to the environment or human health. This product is developed and manufactured with high quality materials and components which can be recycled and/or reused. Please dispose this product at your local collection point or recycling centre for electrical and electronic waste. This will make sure that it will be recycled on an environmentally friendly manner, and will help to protect the environment in which we all live.

CAUTION

The symbols shown are internationally recognized symbols that warn about potential hazards of electrical products. The lightning flash with arrow point in an equilateral triangle means that the unit contains dangerous voltages. The exclamation point in an equilateral triangle indicates that it is necessary for the user to refer to the users manual.



These symbols warn that there are no user serviceable parts inside the unit. Do not open the unit. Do not attempt to service the unit yourself. Refer all servicing to qualified personnel. Opening the chassis for any reason will void the manufacturer's warranty. Do not get the unit wet. If liquid is spilled on the unit, shut it off immediately and take it to a dealer for service. Disconnect the unit during storms to prevent damage.

CAUTION:

ALWAYS KEEP THESE INSTRUCTIONS. NEVER THROW THEM AWAY

ALWAYS HANDLE THIS UNIT WITH CARE

HEED ALL WARNINGS

FOLLOW ALL INSTRUCTIONS

NEVER EXPOSE THIS EQUIPMENT TO RAIN, MOISTURE, ANY DRIPPING OR SPLASHING LIQUID. AND NEVER PLACE AN OBJECT FILLED WITH LIQUID ON TOP OF THIS DEVICE

NO NAKED FLAME SOURCES, SUCH AS LIGHTED CANDLES, SHOULD BE PLACED ON THE APPARATUS

DO NOT PLACE THIS UNIT IN AN ENCLOSED ENVIRONMENT SUCH AS A BOOKSHELF OR CLOSET. ENSURE THERE IS ADEQUATE VENTILATION (5 CM) TO COOL THE UNIT. DO NOT BLOCK THE VENTILATION OPENINGS.

DO NOT STICK ANY OBJECTS THROUGH THE VENTILATION OPENINGS.

DO NOT INSTALL THIS UNIT NEAR ANY HEAT SOURCES SUCH AS RADIATORS OR OTHER APPARATUS THAT PRODUCE HEAT.

DO NOT PLACE THIS UNIT IN ENVIRONMENTS WHICH CONTAIN HIGH LEVELS OF DUST, HEAT, MOISTURE OR VIBRATION

THIS UNIT IS DEVELOPED FOR INDOOR USE ONLY. DO NOT USE IT OUTDOORS

PLACE THE UNIT ON A STABLE BASE OR MOUNT IT IN A STABLE RACK

ONLY USE ATTACHMENTS & ACCESSORIES SPECIFIED BY THE MANUFACTURER

UNPLUG THIS APPARATUS DURING LIGHTNING STORMS OR WHEN UNUSED FOR LONG PERIODS OF TIME

ONLY CONNECT THIS UNIT TO A MAINS SOCKET OUTLET WITH PROTECTIVE EARTHING CONNECTION

THE MAINS PLUG OR APPLIANCE COUPLER IS USED AS THE DISCONNECT DEVICE, SO THE DISCONNECT DEVICE SHALL BE READILY OPERABLE

USE THE APPARATUS ONLY IN MODERATE CLIMATES