

MBK410C

Product description:
CEILING MOUNT BRACKET FOR NOBA8(A)

Weight:

TBA

Outer dimensions:
(w x h x d)

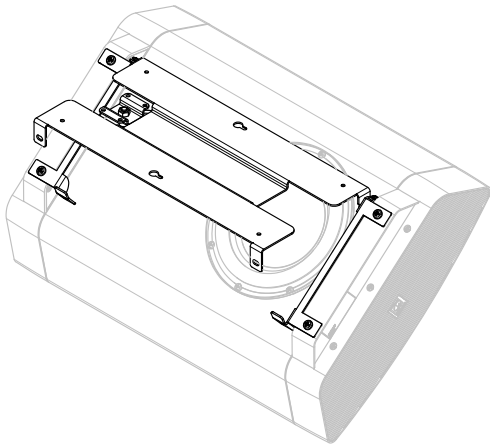
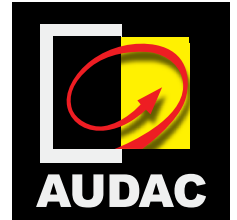
509 x 34 x 198

Unit height:

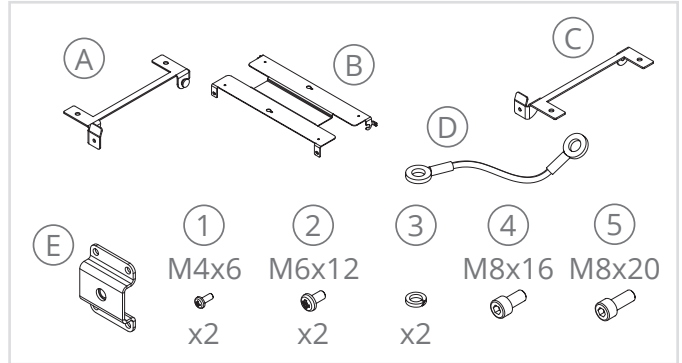
N/A

INSTALLATION MANUAL

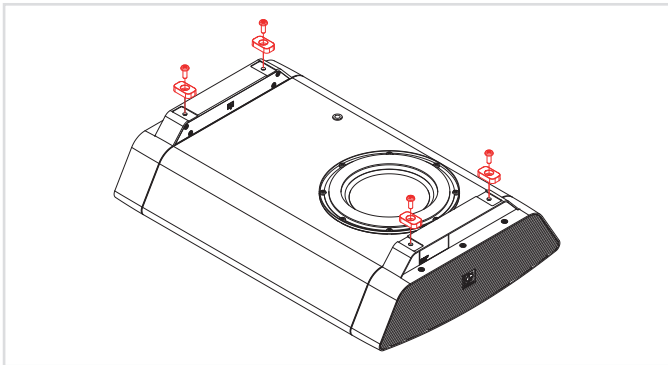
MBK410C CEILING MOUNTING BRACKET FOR NOBA8(A)



PARTS AND ACCESSORIES

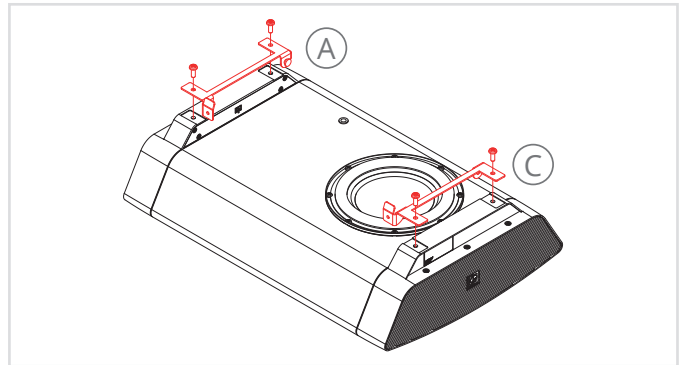


STEP 1



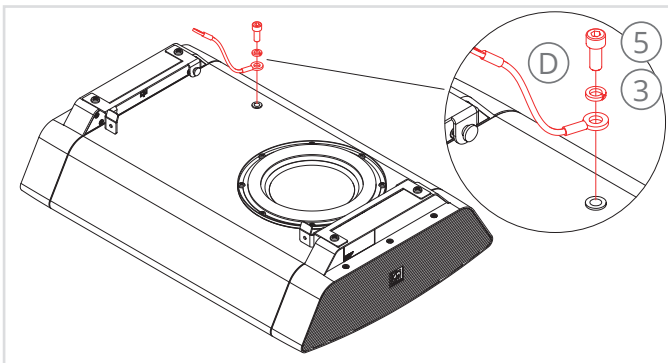
Remove the rubber feet by unscrewing the mounting screws

STEP 2



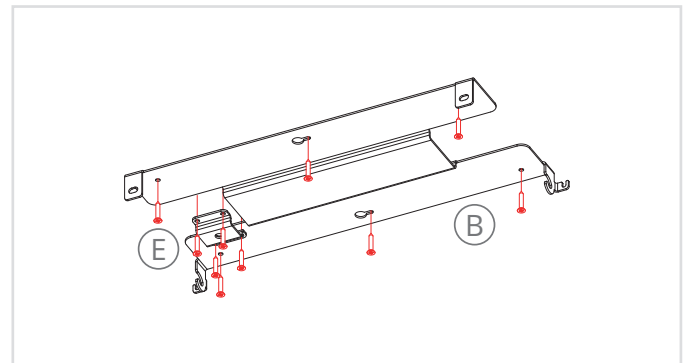
Attach the mounting brackets with the screws removed in step 1.

STEP 3



Attach the safety cable to the NOBA8(A) chassis

STEP 4



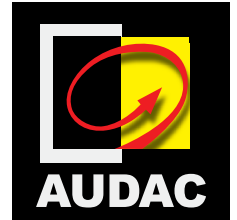
Attach the ceiling plate and the safety cable bracket in the desired location using the appropriate screws for your mounting surface.

Note:

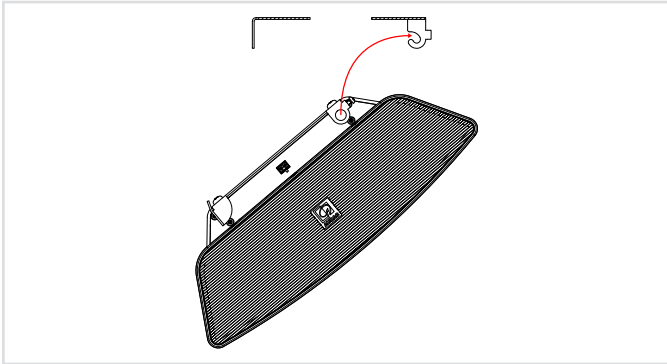
A cable guide channel is provided on the ceiling plate. We recommend using it to prevent cables from touching the woofer.

INSTALLATION MANUAL

MBK410C CEILING MOUNTING BRACKET FOR NOBA8(A)



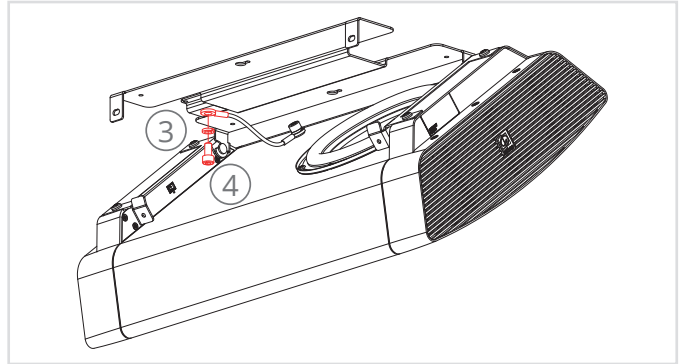
STEP 5



Hang the NOBA8(A) into the ceiling plate, making sure the mounting pins are fitted into the hooks on the ceiling plate

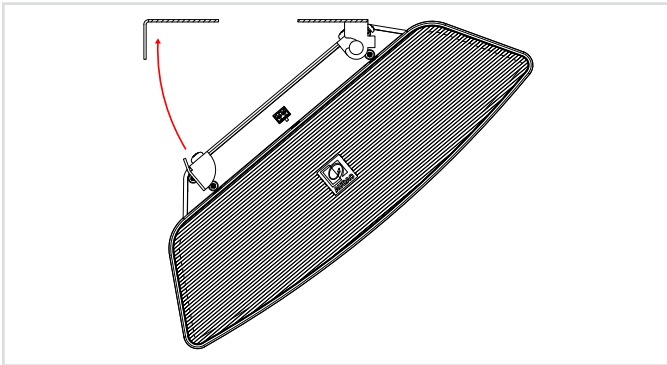
The ceiling plate is labelled side A and side B, make sure these labels match the labels on the NOBA8(A) mounting brackets

STEP 6



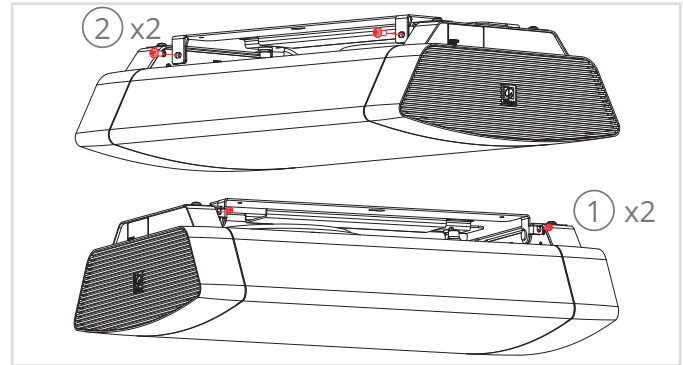
Mount the loose end of the safety wire to the safety bracket and make all electrical connections

STEP 7



Rotate the other end of the NOBA8(A) up until the holes of the ceiling bracket line up with the holes on the NOBA8(A) bracket.

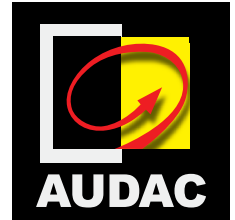
STEP 8



Keep the screw holes lined up and secure the screws in place. You can now release the NOBA8(A) and also secure the screws on the other side of the NOBA8(A).

INSTALLATION MANUAL

MBK410C CEILING MOUNTING BRACKET FOR NOBA8(A)



PRECAUTIONS

- ALWAYS KEEP THESE INSTRUCTIONS FOR FUTURE REFERENCE. NEVER THROW THEM AWAY
- ALWAYS HANDLE THIS UNIT WITH CARE
- CLEAN ONLY WITH DRY CLOTH
- HEED ALL WARNINGS AND FOLLOW ALL INSTRUCTIONS
- NEVER EXPOSE THIS EQUIPMENT TO RAIN, MOISTURE, ANY DRIPPING OR SPLASHING LIQUID.
- DO NOT INSTALL THIS UNIT NEAR ANY HEAT SOURCES SUCH AS RADIATORS OR OTHER APPARATUS THAT PRODUCE HEAT
- DO NOT PLACE THIS UNIT IN ENVIRONMENTS WITH A HIGH LEVEL OF DUST, HEAT, MOISTURE OR VIBRATION
- THIS UNIT IS DEVELOPED FOR INDOOR USE ONLY. DO NOT USE IT OUTDOORS
- ONLY USE ATTACHMENTS & ACCESSORIES SPECIFIED BY THE MANUFACTURER.
- ONLY INSTALL THE SPEAKER IN LOCATIONS THAT CAN STRUCTURALLY SUPPORT THE WEIGHT OF THE SPEAKER. IGNORING THIS CAN BRING THE SPEAKER DOWN.
- DO NOT USE ANY OTHER METHOD THAN SPECIFIED TO MOUNT THE SPEAKER. IF EXTREME FORCE IS APPLIED TO THE SPEAKER, IT COULD FALL DOWN
- ATTACH A SAFETY WIRE TO THE SPEAKER WHEN IT IS MOUNTED HIGH UP. ONLY USE INDUSTRY-ACCEPTED RIGGING TOOLS AND METHODS
- CAREFULLY CHECK THE UNIT'S CONDITION AFTER UNPACKING.
- IF THERE IS ANY DAMAGE TO THE CARTON BOX OR THE UNIT ITSELF, INFORM YOUR VENDOR IMMEDIATELY.
- ALWAYS FOLLOW THE LOCAL REGULATIONS AND REQUIREMENTS REGARDING INSTALLATION, SUSPENSION AND CONNECTION OF THIS LOUDSPEAKER. EVEN WHEN OTHERWISE SPECIFIED IN THIS DOCUMENT.
- THE INSTALLATION OF THIS LOUDSPEAKER SHALL BE DONE BY QUALIFIED PERSONNEL ONLY.

CAUTION - SERVICING

This product contains no user serviceable parts. Refer all servicing to qualified service personnel. Do not perform any servicing (unless you are qualified to do so.)

EC DECLARATION OF CONFORMITY

This product conforms to all the essential requirements and further relevant specifications described in following directives: 2011/65/EU (RoHS2) and 1907/2006 (REACH)

WASTE OF ELECTRICAL AND ELECTRONIC EQUIPMENT (WEEE)

The WEEE marking indicates that this product should not be disposed with regular household waste at the end of its product life. This regulation is created to protect both the environment and human health.

This product is developed and manufactured with high quality materials and components which can be recycled and/or reused. Please dispose of this product at your local collection point or recycling center for electrical and electronic waste. Do this to make sure that the product is recycled in an environmental friendly way, and help to protect the environment in which we all live.