

## TECHNICAL SPECIFICATIONS

<b>Throat diameter</b>	49 mm. 2 in.
<b>Rated impedance</b>	8 ohms
<b>Minimum impedance</b>	7.4 ohms @ 3.5 kHz
<b>D.C. Resistance</b>	5.5 ohms
<b>Power capacity *</b>	90 w AES above 1 kHz
<b>Program power</b>	180 w above 1 kHz
<b>Sensitivity **</b>	112 dB 1 w @ 1m coupled to TD-400N horn
<b>Frequency range</b>	0.6 - 20 kHz
<b>Recommended crossover</b>	800 Hz or higher (12 dB/oct. min.)
<b>Voice coil diameter</b>	72.2 mm. 2.87 in.
<b>Magnetic assembly weight</b>	3.1 kg. 6.82 lb.
<b>Flux density</b>	2.2 T
<b>BL factor</b>	11.5 N/A

## MOUNTING INFORMATION

<b>Overall diameter</b>	145 mm. 5.70 in.
<b>Depth</b>	89 mm. 3.5 in.
<b>Mounting</b>	Four M6 threaded holes, 90° apart on 101.6 mm (4 in.) diameter circle. Mounting hardware is supplied.
<b>Net weight</b>	3.5 kg. 7.7 lb.
<b>Shipping weight</b>	3.75 kg. 8.25 lb.

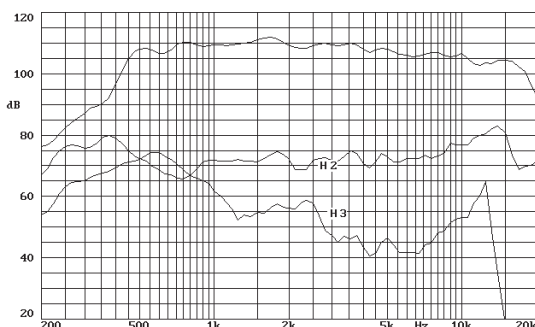
## MATERIALS

- **Diaphragm:** titanium.
- **Voice coil:** edgewound aluminium ribbon wire.
- **Voice coil former:** kapton.
- **Magnet:** neodymium.

## GENERAL DESCRIPTION

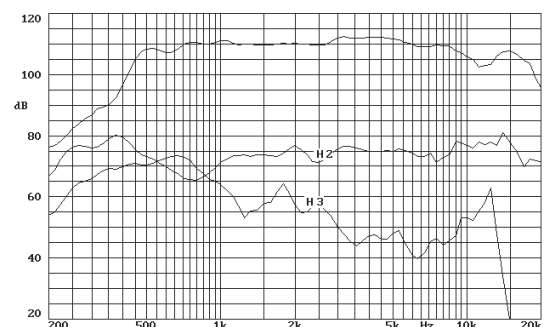
This high frequency compression driver features a composite structure diaphragm. It has a Mylar surround to provide damping and avoid resonant peaks typical of metal surrounds. The dome is made of pure titanium, with its unique mechanical properties. This diaphragm combined with a new optimized phasing-plug and a copper ring, results in an extremely smoothed and extended high frequency response.

## FREQUENCY RESPONSE AND DISTORTION CURVES



Note: on axis frequency response measured coupled to TD-400N horn in anechoic chamber, 1w @ 1m.

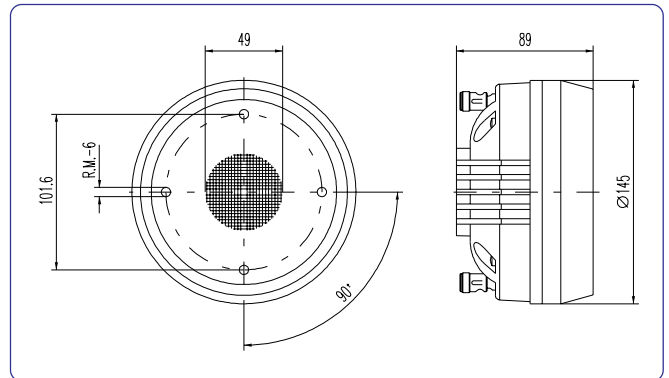
## FREQUENCY RESPONSE AND DISTORTION CURVES



Note: on axis frequency response measured coupled to TD-460N horn in anechoic chamber, 1w @ 1m.



## DIMENSION DRAWINGS



### Notes:

\*The power capacity is determined according to AES2-1984 (r2003) standard.  
Program power is defined as the transducer's ability to handle normal music program material.  
\*\*Sensitivity was measured at 1 m distance, on axis, with 1 w input, averaged in the range 1-7 kHz.