

KEY FEATURES

- High sensitivity (95 dB)
- Extended frequency range (2 - 22 KHz)
- Aluminium diaphragm
- Neodymium magnet
- Aluminium front cover
- Designed for the high frequencies reproduction

TECHNICAL SPECIFICATIONS

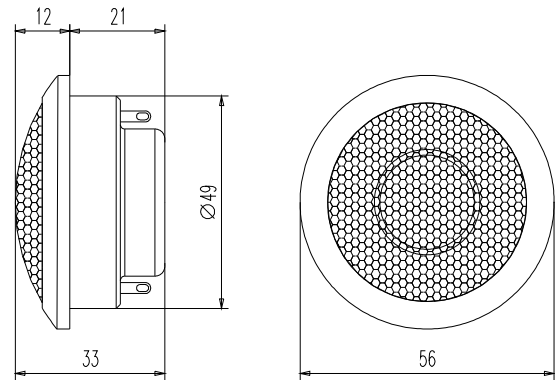
Nominal impedance	4 ohms
Power handling / maximum	25 W RMS / 60 W
Sensitivity	95 dB 1w @ 1m
Frequency range	2 - 22 kHz
Recommended crossover frequency	2 kHz, 12 dB/oct.
Resonant frequency, fs	1.8 kHz
Voice coil diameter	25.8 mm. 1.02 in.
Diaphragm material	Aluminium

MOUNTING INFORMATION

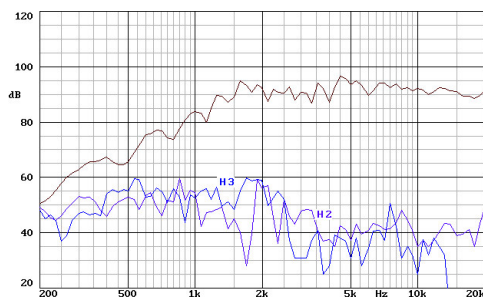
Overall diameter	56 mm. 2.21 in.
Depth	33 mm. 1.30 in.
Baffle cutout dimensions	49 mm. 1.93 in.



DIMENSION DRAWINGS



FREQUENCY RESPONSE



Nota: on axis frequency response measured on anechoic chamber, applying 1w@1m.

IMPEDANCE CURVE

