

KEY FEATURES

- Designed for compression drivers with 1" (25,4 mm) throat diameter
- Coverage angles of 120° in the horizontal plane and 40° in the vertical plane
- Precise directivity control in the band pass
- Squared and compact design, offering rotatable mounting alternatives
- Heavy-duty reinforced polycarbonate construction
- F.E.M optimized flare



TECHNICAL SPECIFICATIONS ¹

Throat diameter	25,4mm	1 in
Nominal Coverage Horizontal		120°
Nominal coverage Vertical		40°
Directivity Index (DI)		9,4 dB
Cut-off frequency		1500 Hz
Material	Reinforced Polycarbonate	

MOUNTING INFORMATION

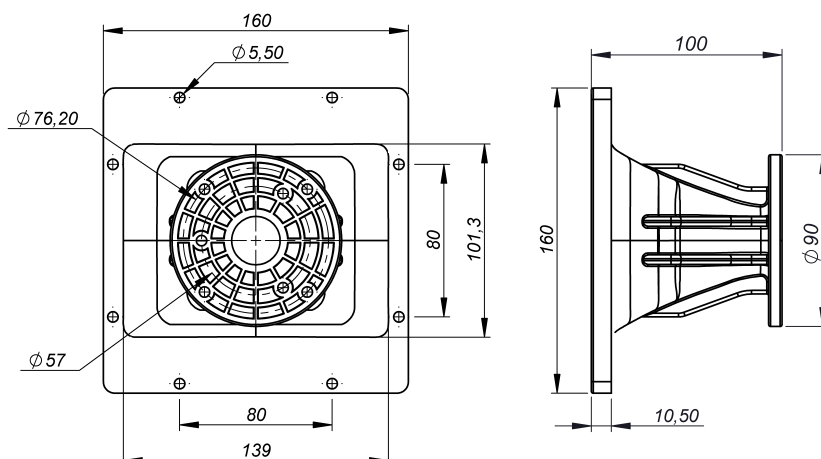
Dimensions (W x H x D)	160 x 160 x 100 mm 6,3 x 6,3 x 3,9 in
Cut-out dimensions (W x H)	139 x 101,3 mm 5,61 x 5,27 in

Compression driver mounting

Three M5 holes, 120° apart on 57 mm (2,24 in) diameter
Four M5 holes, 180° apart on 76,2 mm (3 in) diameter

Net weight	0,3kg
Shipping weight	0,5kg

DIMENSION DRAWING

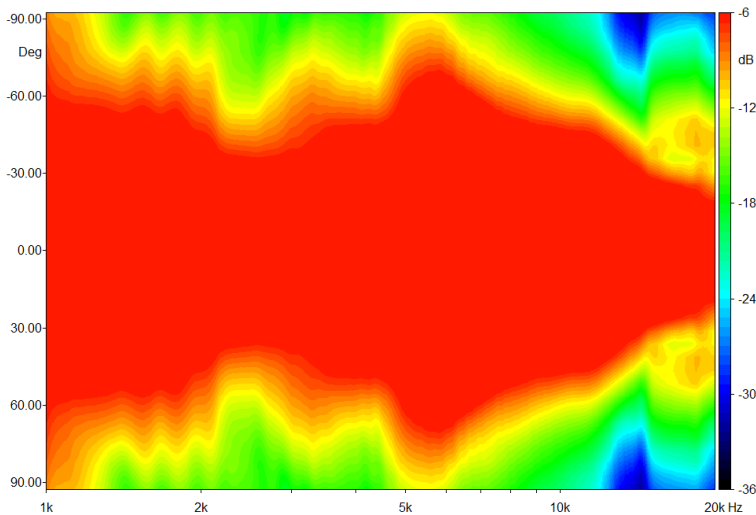


Notes:

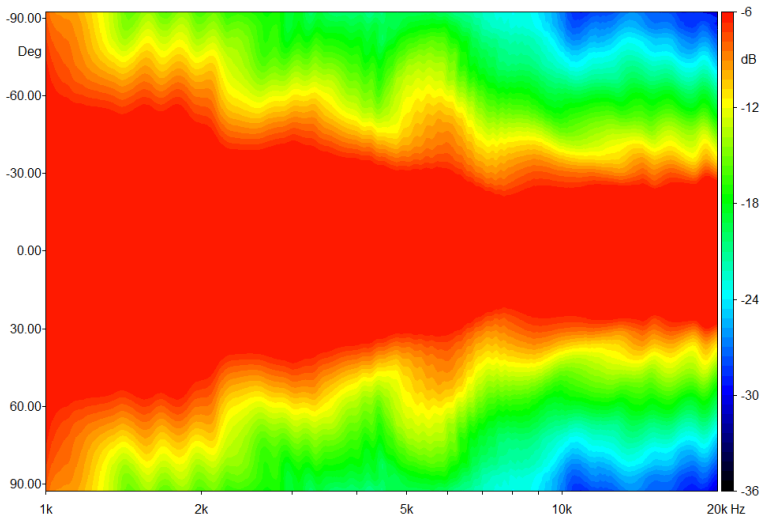
¹ Average range 1 - 16 kHz

Horn measured with Beyma CD151Fe/PK compression driver.

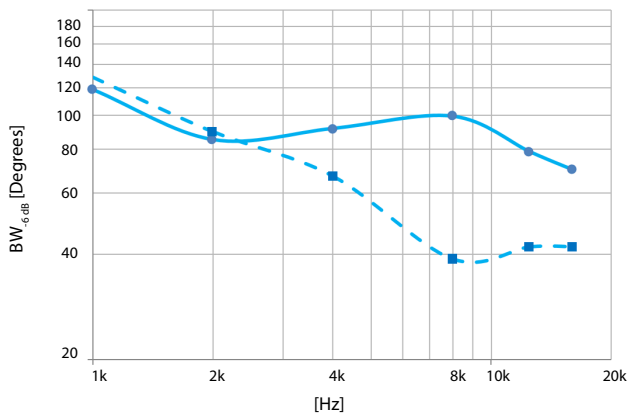
HORIZONTAL DIRECTIVITY MAP



VERTICAL DIRECTIVITY MAP

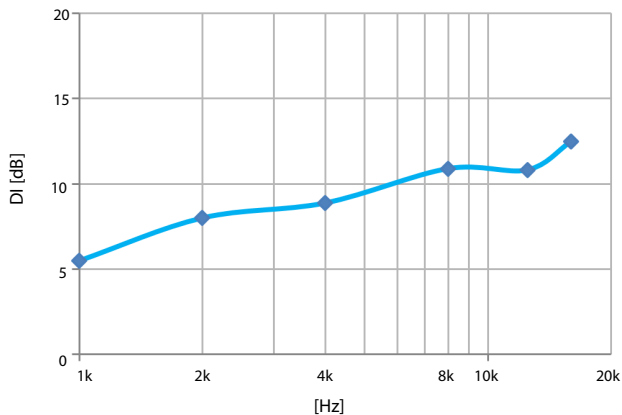


-6 dB BEAMWIDTH

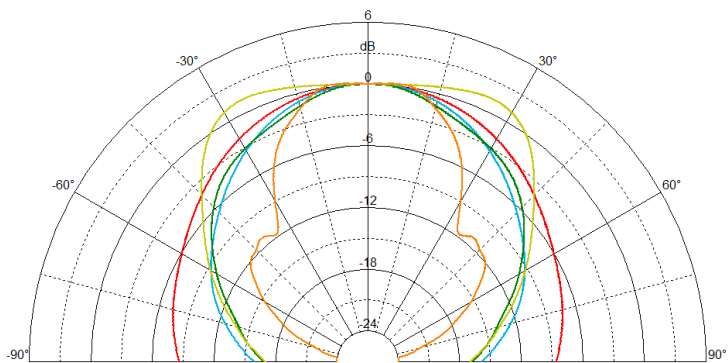


— Horizontal - - - - Vertical

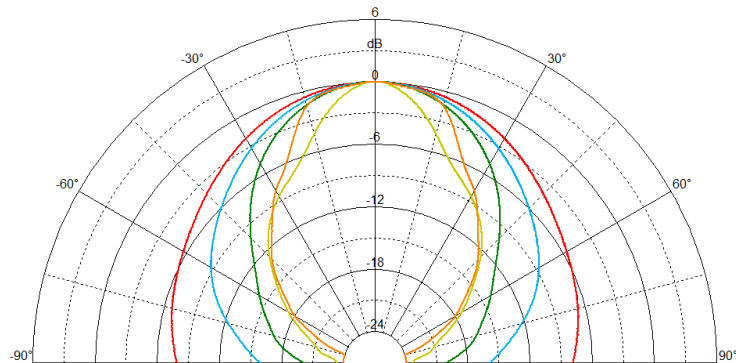
DIRECTIVITY INDEX



HORIZONTAL POLAR PATTERN



VERTICAL POLAR PATTERN



— 1 kHz — 2 kHz — 4 kHz — 8 kHz — 16 kHz