



# 20 MP 8R

8" woofer-midrange

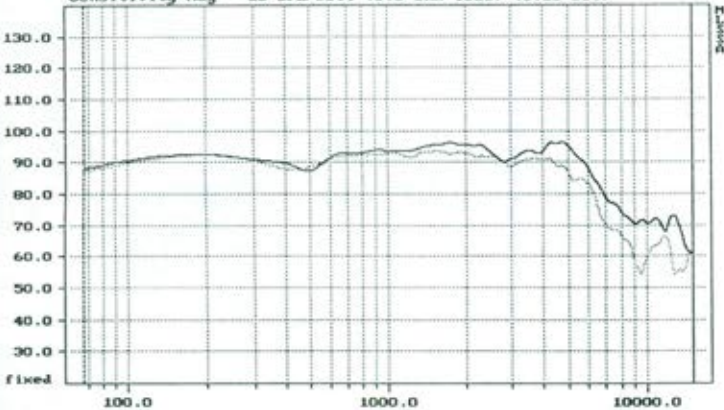
Achieve deep bass and smooth midrange at good efficiency.



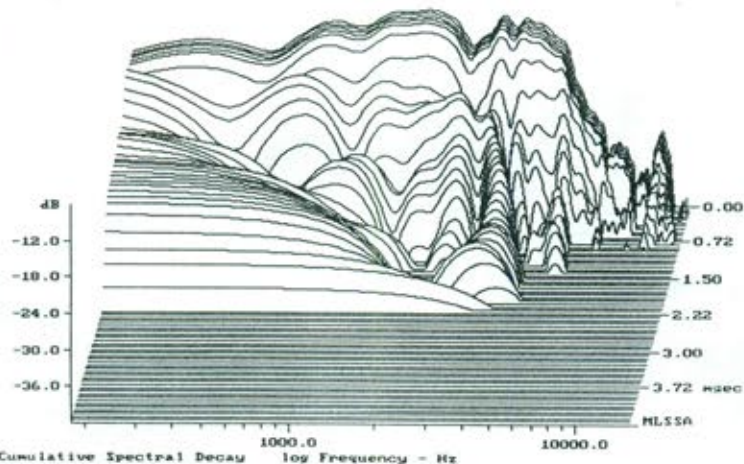
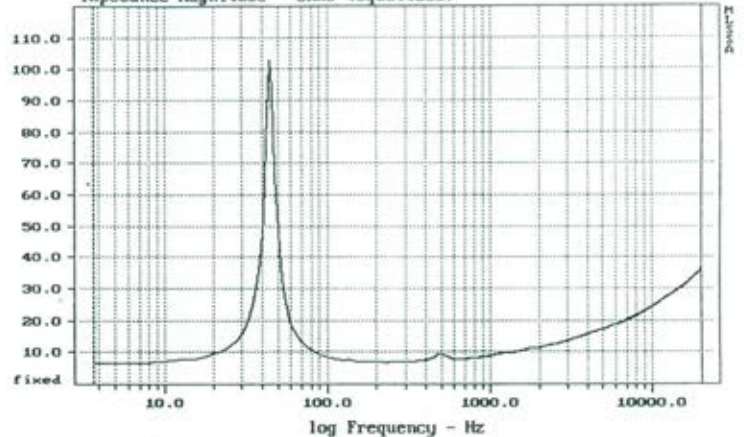
Nominal impedance : 8  $\Omega$   
 Sensitivity /2.8V /1m. : 93 dB  
 Power handling rms : 80 W  
 Magnet/size : Ferrite /100 mm

Voice-coil diameter : Copper / 25 mm  
 Voice-coil former : Alu  
 Cone : Coated cellulose  
 Surround : Coated foam

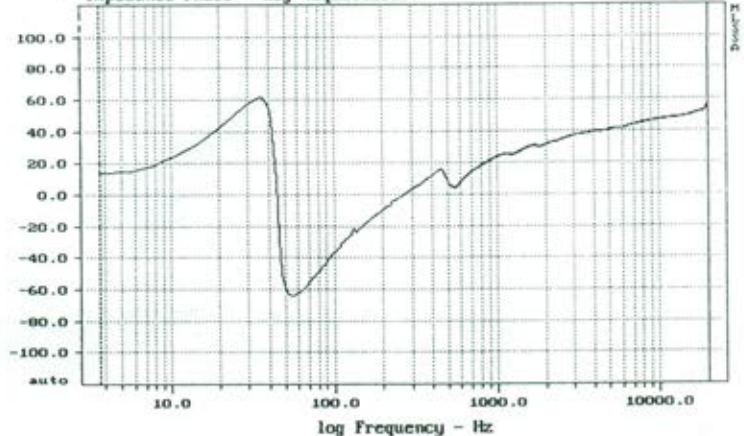
Sensitivity Mag - dB SPL/watt (8.8 ohm load) (8.18 oct)

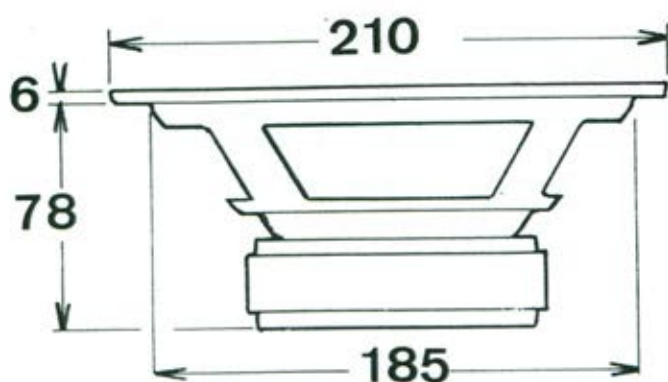


Impedance Magnitude - ohms (equalized)



Impedance Phase - deg (equalized)





MAGNET DIAMETER 100MM  
 OVERALL DIAMETER 212 MM  
 MOUNTING HOLES 5 MM X 4  
 WEIGHT 1.7 Kg

## PARAMETERS

FREE AIR RESONANCE FREQUENCY	FS	41.7	Hz
DC RESISTANCE	RE	6.2	$\Omega$
MECHANICAL LOSSES AS EQUIVALENT RES	RES	87.2	$\Omega$
MECHANICAL Q.	QMS	7.3	
ELECTRICAL Q.	QES	0.52	
TOTAL Q.	QTS	0.48	
SERIE LOSSLESS INDUCTANCE	L1	0.15	MH
SERIE LOSS INDUCTANCE	L2	0.75	MH
COMPLIANCE AS AN EQUIVALENT VOLUME AIR	VAS	73,1	LITRES
MOVING MASS + AIR LOAD	MMS	12.7	GRAMS
MECHANICAL COMPLIANCE OF SUSPENSION	CMS	1147	$\mu\text{M}/\text{NEWTON}$
MOTOR FORCE FACTOR	BL	6.3	TESLA-M
REFERENCE SPL 1 WATT, 1 M.	SPL REF	91.9	dB
RADIATING AREA	Sd	213	CM <sup>2</sup>
LINEAR DISPLACEMENT PEAK TO PEAK	X MAX	6	MM

**DAVIS**  
ACOUSTICS

RANCE

DAVIS reserves the right to vary products and specifications without prior notice.

DAVIS se reserve le droit de modifier ses produits et caractéristiques sans préavis.