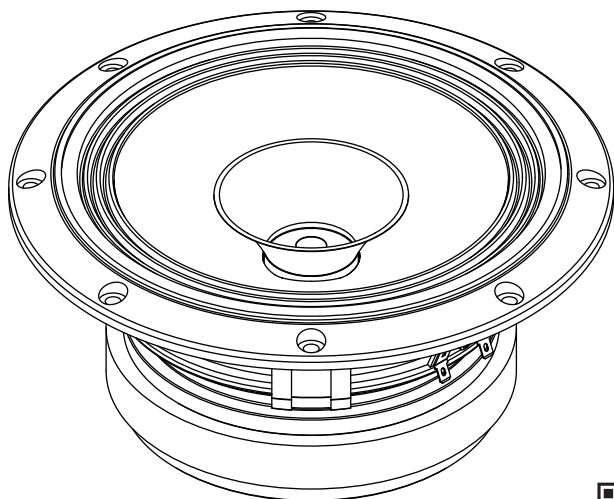


Fostex

FE208NS

20cm Fullrange speaker



Specification Sheet

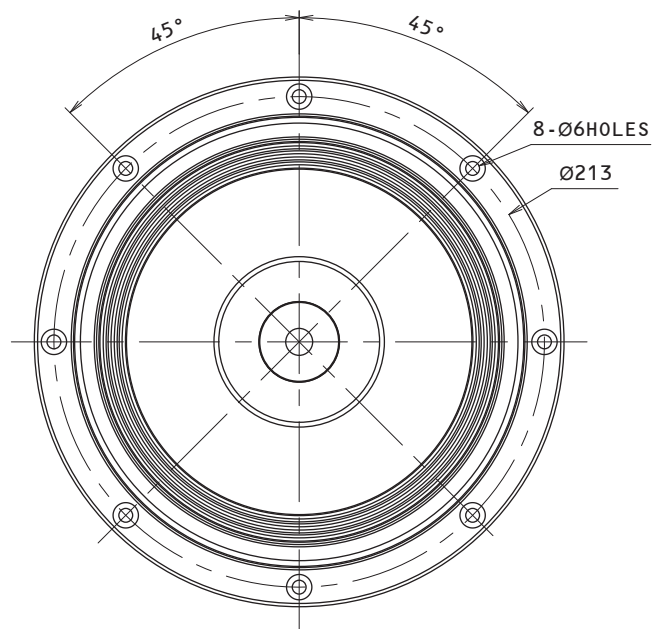
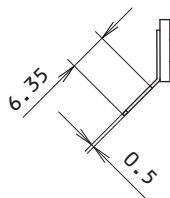
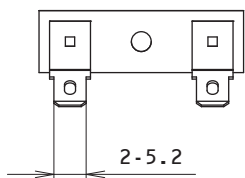
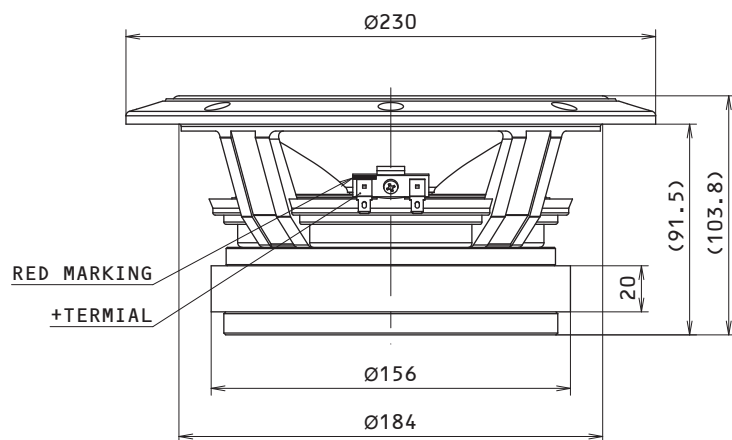


Fostex

www.fostex.jp/products/fe208ns

In accordance with our policy of continuous development, we reserve the right to change specifications without notice Printed in China 642868

Dimensions / Polarity



Standard Accessories

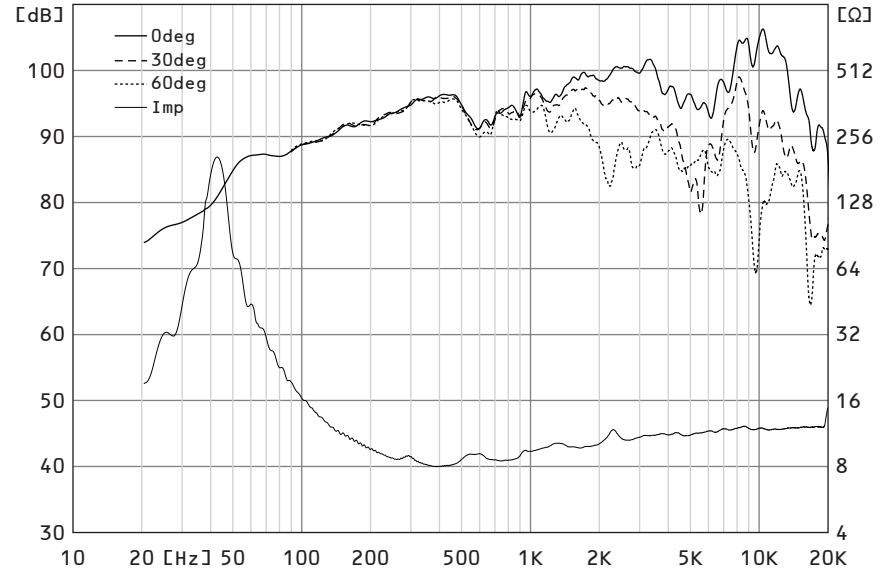
Speaker unit : 1pc	Specification sheet : 1pc
Screw : 8pcs	Application sheet : 1pc
Washer : 8pcs	Safety precautions : 1pc
Spacer : 1pc	

Specifications & Thiele / Small Parameters

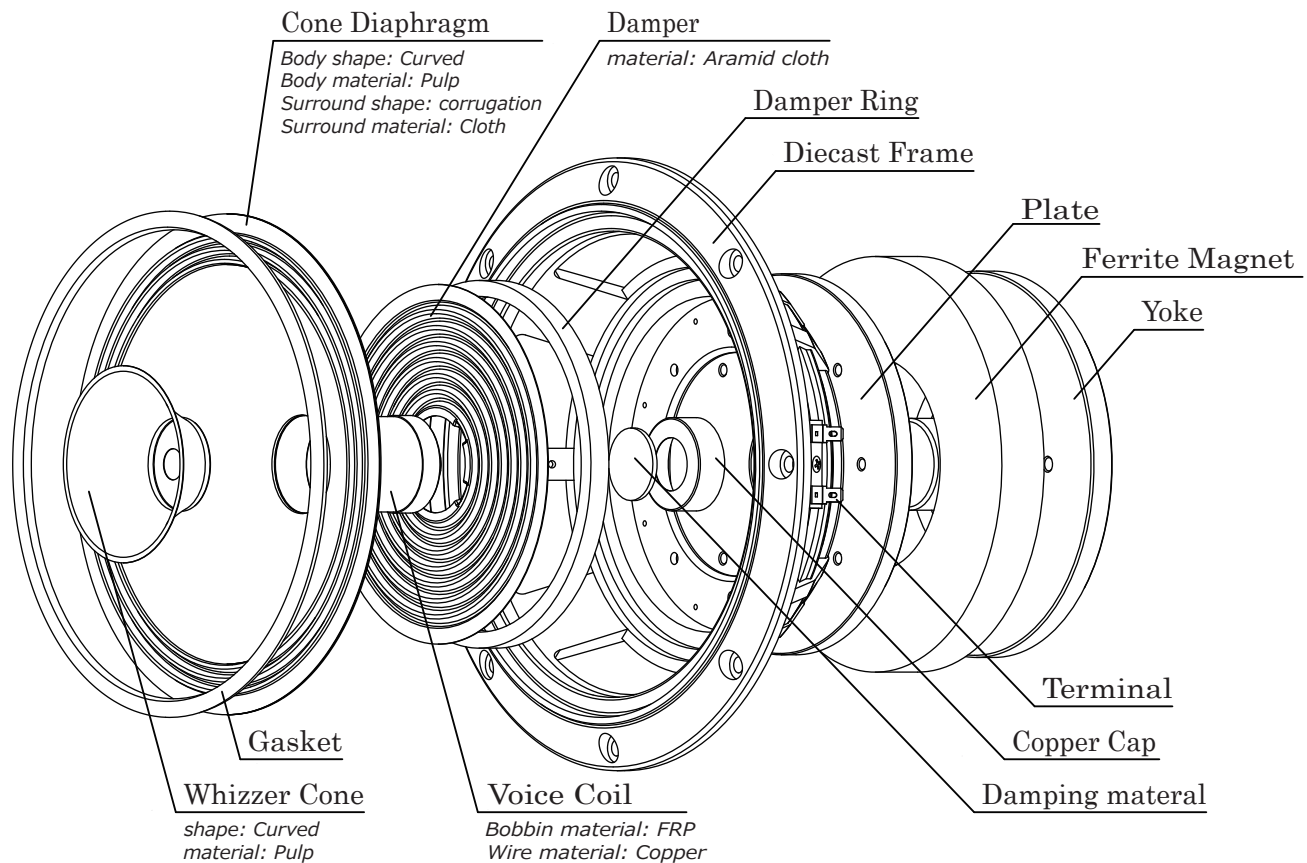
Electrical Parameters	Nominal Impedance	8.0	ohm
	Re	6.6	ohm
	Le	0.19	mH
	fs (F0)	45	Hz
Mechanical Parameters	Mms (M0)	14.07	g
	Cms	0.91	mm/N
	Bl	10.79	N/A
Loss Factors	Qms	6.87	-
	Qes	0.22	-
	Qts (Q0)	0.22	-
Other Parameters	SPL (1m/1W)	94	dB
	Equivalent Diaphragm Radius (a)	81.0	mm
	Rated Input	40	W
	Max Input	-	W
	Overall Diameter	Φ230	mm
	Voice Coil Diameter	35.5	mm
	Reproduction Frequency Response	fs to 20k	Hz
	Vas	54.57	L
	Baffle Hole Diameter	Φ185	mm

Frequency Response

FOSTER Electric Co.,Ltd semi-anechoic chamber
1/24th oct smoothing / Input 2.83V(1W) / mic distance 1m



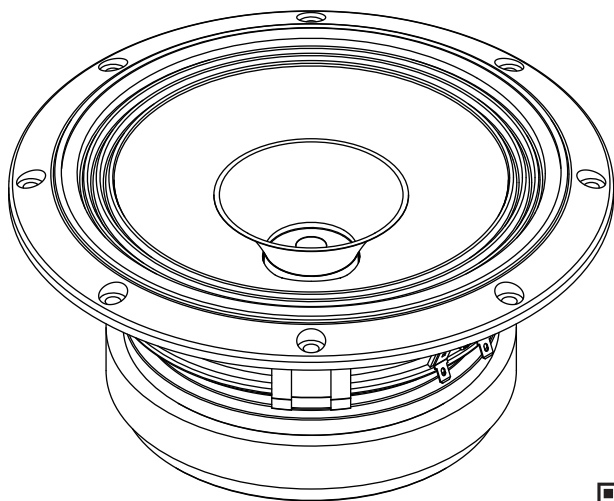
Components



Fostex

FE208NS

20cm Fullrange speaker



Application Sheet

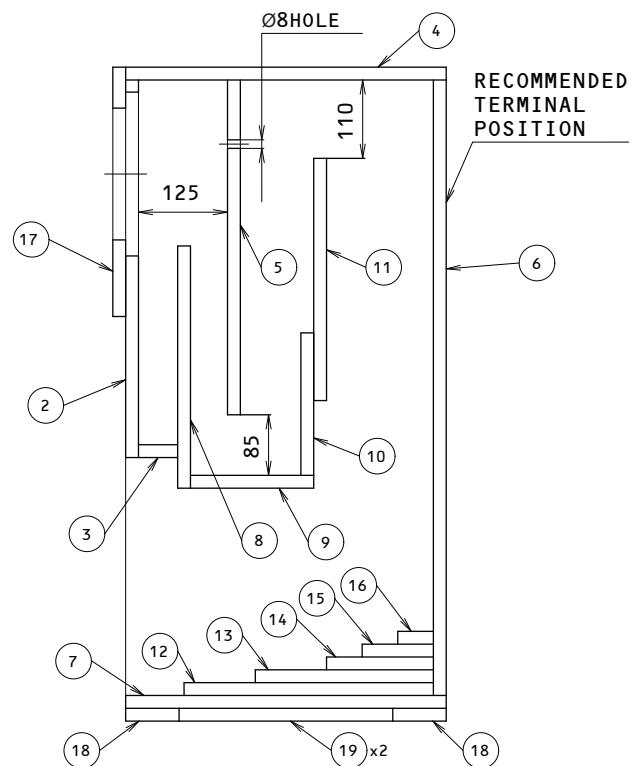
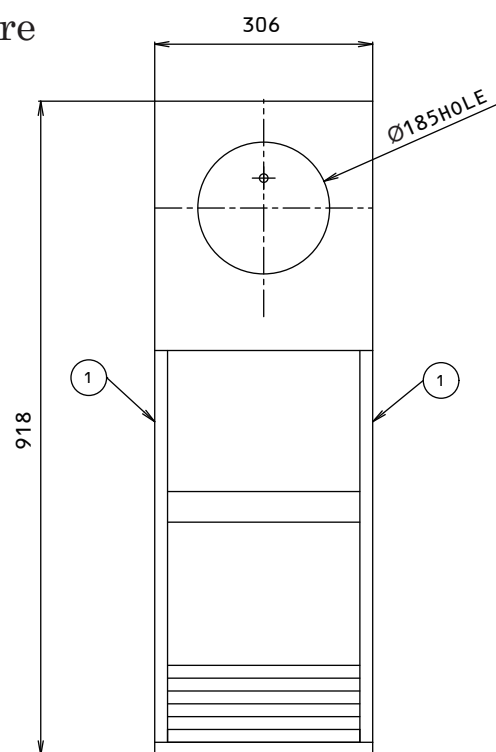


Fostex

www.fostex.jp/products/fe208ns

In accordance with our policy of continuous development, we reserve the right to change specifications without notice Printed in China 646425

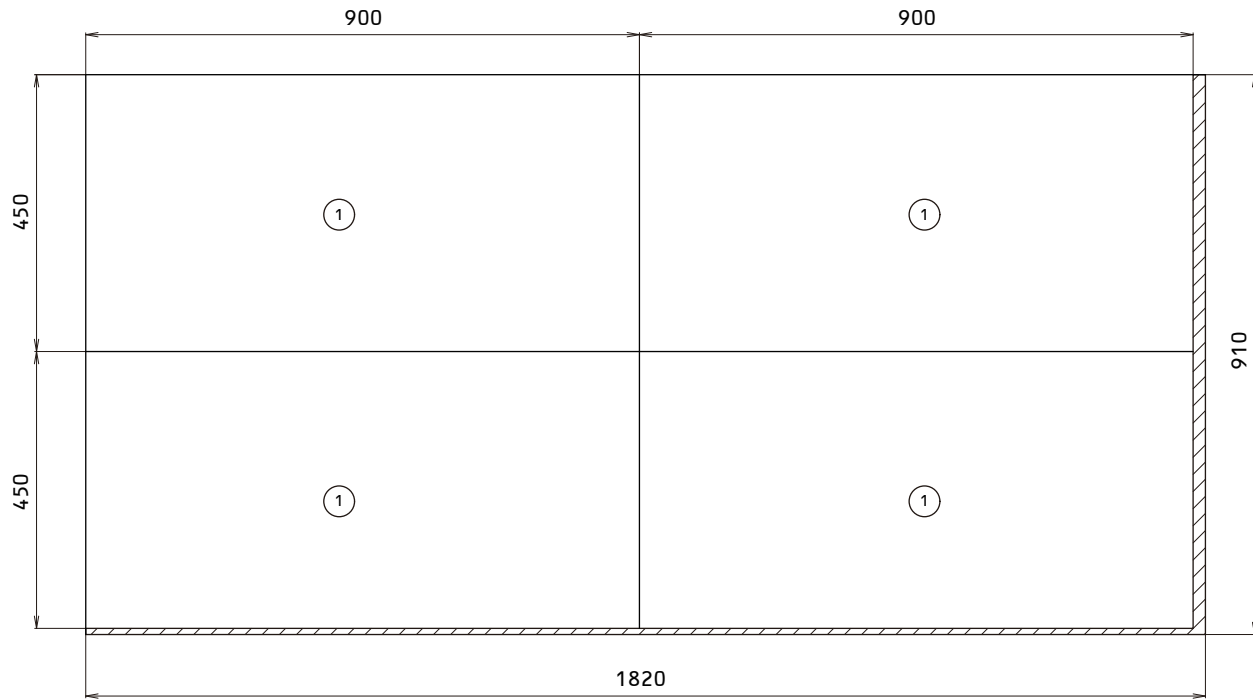
Enclosure



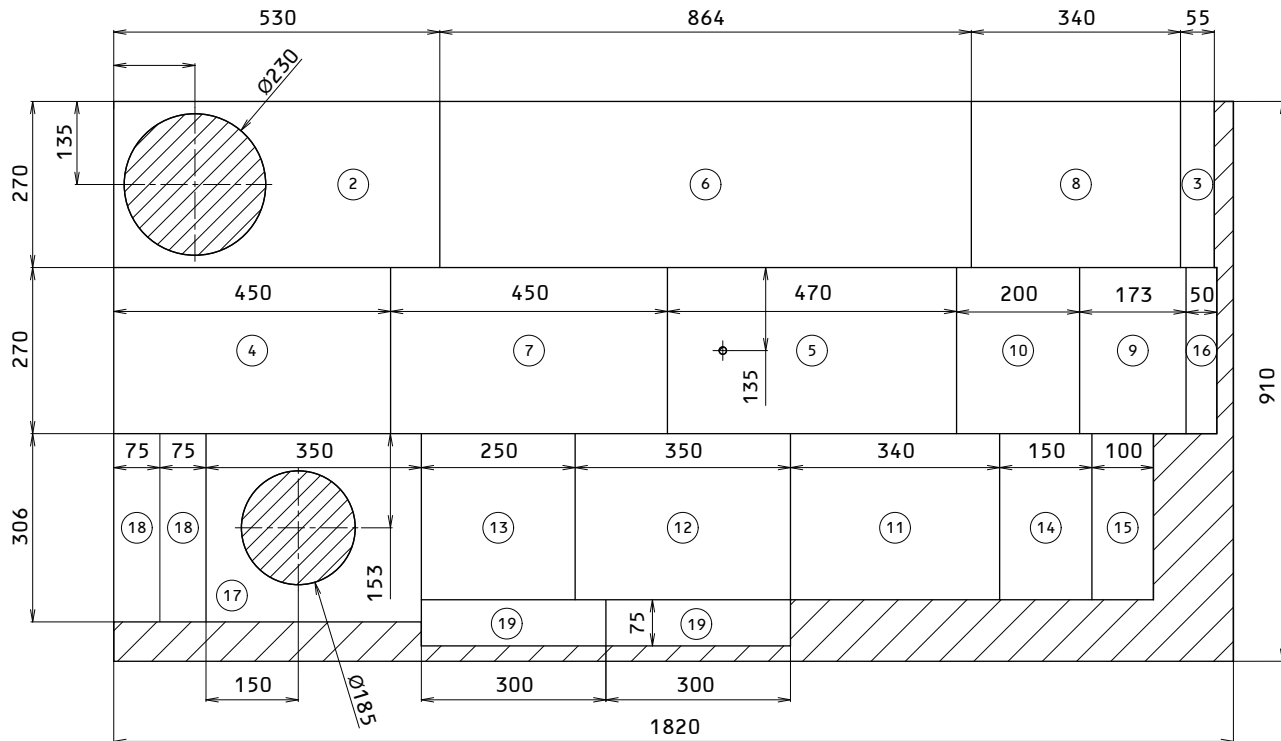
※Please visit our website for more details.

Enclosure

BOARD 1 (1 sheet/1pair) thickness : 18mm



BOARD 2 (2 sheet/1pair) thickness : 18mm



※Please visit our website for more details.