

# Fostex®

# FW168HR

## Features

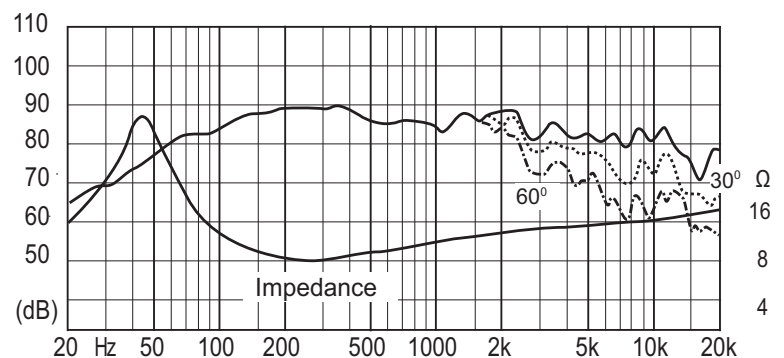
- $\varnothing 145\text{mm}$  large ferrite magnet and 8mm top plate are employed. Besides, the copper cap is adapted onto the pole piece to reduce the magnetostriction.
- HR shape cone diaphragm is employed to realize the weight saving and stiffness property.
- The state-of-the-art hybrid material is offered to the diaphragm. Its ideal internal loss and stiffness bring the propagation velocity similar to the near-metal diaphragm.
- UDR tangential surround & spider are equipped to realize the less anti-resonance and superior amplitude characteristic.
- The foamed rubber is chosen for the surround material. It has the lower density, lighter weight and higher internal loss characteristic than the conventional rubber and the foamed rubber surround has the low young's modulus and less eigentone.



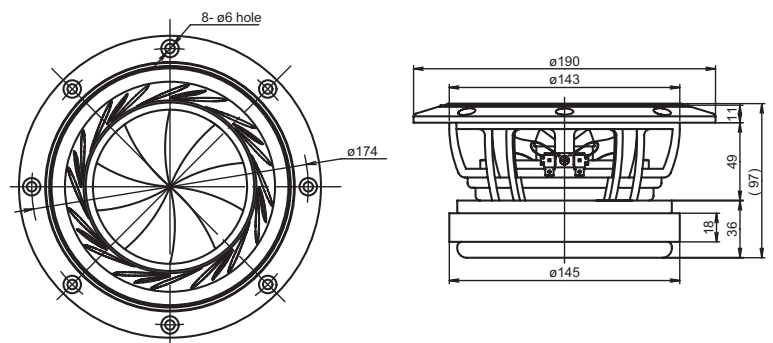
## Specifications & Thiele/Small Parameters

Size	:	160 mm / 6.5 in
Voice Coil Diameter	:	
	:	35 mm / 1.37 in
Cast / Stamped	:	Cast
Impedance	:	8 $\Omega$
Reproduction Frequency Response	:	fs - 10 kHz
Sound Pressure Level	:	88 dB/W(m)
Rated Input	:	35 W
Music Power	:	100W
Magnet Material	:	Ferrite
Magnet Weight	:	1,090 g / 2.40 lb
Net Weight	:	3,640 g / 8.02 lb
a	:	60 mm
D	:	120 mm
Sd	:	0.011 m <sup>2</sup>
Zn	:	8 $\Omega$
Fs	:	45 Hz
Re	:	7.1 $\Omega$
Le	:	0.07 mH
Qms	:	3.25
Qes	:	0.38
Qts	:	0.35
Mms	:	15.7 g
BL	:	8.98 Telsa/m
Vas	:	15.1 L
Xmax	:	2.65 mm
Eff/ $\eta_0$	:	0.33 %
Cms	:	0.83 mm/N
EBP	:	118.4

## Frequency Response / Impedance



## Dimensions & Mounting Information



Overall Diameter	:	190 mm / 7.4 in
Baffle Hole Diameter	:	151 mm / 5.9 in
Depth	:	97 mm / 3.8 in