

FULL RANGE SPEAKER UNIT



P800K



P1000K

Thank you for purchasing P800K / P1000K. A light-weight cone paper and a high-loss rubber edge realize a bright and clear mid-to-high range and reasonably damped low range reproduction. You can enjoy an excellent stereo image and sound field achieved by a small-diameter speaker unit.

Main features

Banana pulp blended light-weight cone paper / High-loss foamed rubber edge

Blending a banana pulp with two wooden pulps holding different physicality realizes a sufficient stiffness and high-loss. A high-loss foamed edge with an up-roll shape is employed.

“Mechanical” 2-way center cap

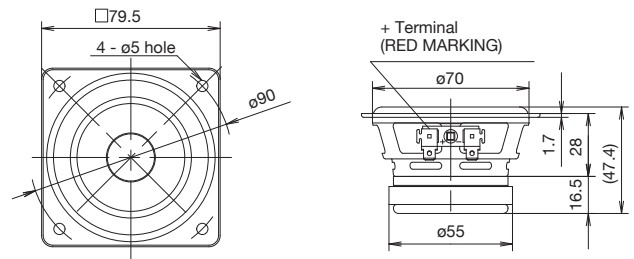
The same material as the cone paper is employed on the center cap for improving the sound unification. A mechanical 2-way structure which directly connects the center cap with the voice coil bobbin extends a high range sound reproduction further.

Faston 205 terminal

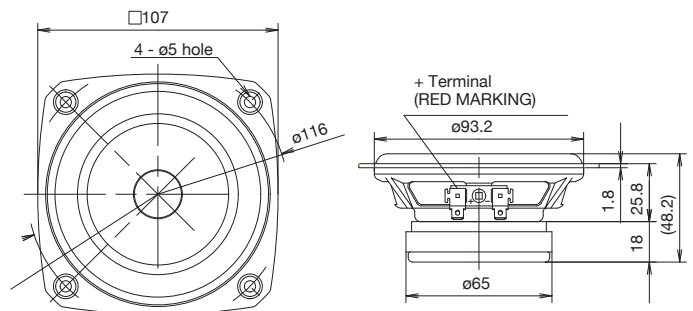
A Faston 205 type is used for the speaker input terminal.

Dimensions

• P800K

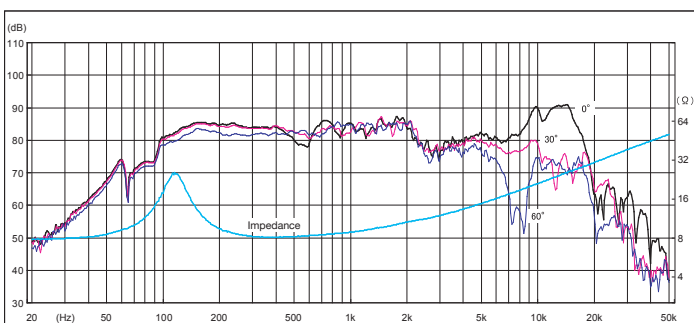


• P1000K

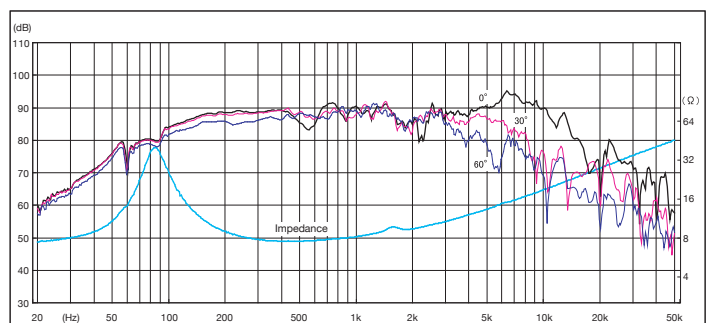


Frequency Response

• P800K



• P1000K



Specifications & Thiele/Small Parameters

Model	P800K			P1000K				
Size	80	mm	3.2	in	100	mm	4.0	in
Overall Diameter	79.5	mm	3.2	in	107	mm	4.3	in
Baffle Hole Diameter	73	mm	2.9	in	94	mm	3.8	in
Depth	47.4	mm	2.0	in	48.2	mm	2.0	in
Voice Coil Diameter	20	mm	0.8	in	20	mm	0.8	in
Cast / Stamped	Stamped			Stamped				
Impedance	8	ohm			8	ohm		
Reproduction Freq. Response	fs-18	kHz			fs-16	kHz		
Sound Pressure Level	84.5	dB/W (m)			88	dB/W (m)		
Rated Input	8	W			12	W		
Music Power	24	W			36	W		
Magnet Weight	74	g	0.163	lb	120	g	0.265	lb
Net Weight	261	g	0.575	lb	405	g	0.893	lb
Equivalent Diaphragm Radius	a	30	mm		40	mm		
Effective Cone Diameter	D	60	mm		80	mm		
Surface Area of Cone	Sd	0.0028	m ²		0.005	m ²		
Nominal Impedance	Zn	8	ohm		8	ohm		
Resonance Frequency	Fs	115	Hz		82	Hz		
DC Resistance	Re	7.2	ohm		6.8	ohm		
Coil Inductance	Le	0.037	mH		0.04	mH		
Mechanical Q	Qms	3.79			4			
Electromagnetic Q	Qes	1.334			0.6			
Total Q	Qts	0.99			0.53			
Equivalent Mass	Mms	2.2	g		3.1	g		
BL Product (Factor Force)	BL	2.98	Tesla/m		4.29	Tesla/m		
Compliance Equivalent Volume	Vas	1.043	L		4.84	L		
Voice Coil Overhang	Xmax	0.5	mm		0.35	mm		
Reference Efficiency n0	Eff/n0	0.117	%		0.414	%		
Mechanical Compliance of Suspension	Cms	0.873	m/N		1.241	m/N		
Efficiency Bandwidth Product	EBP	86.2069			136.667			

CAUTION

RISK OF ELECTRIC SHOCK
DO NOT OPEN



CAUTION: TO REDUCE THE RISK OF ELECTRIC SHOCK,
DO NOT REMOVE COVER (OR BACK).
NO USER - SERVICEABLE PARTS INSIDE.
REFER SERVICING TO QUALIFIED SERVICE PERSONNEL.



The lightning flash with arrowhead symbol, within an equilateral triangle, is intended to alert the user to the presence of uninsulated "dangerous voltage" within the product's enclosure that may be of sufficient magnitude to constitute a risk of electric shock to persons.



The exclamation point within an equilateral triangle is intended to alert the user to the presence of important operating and maintenance (servicing) instructions in the literature accompanying the appliance.

WARNING:

To reduce the risk of fire or electric shock, do not expose apparatus to rain or moisture.

Avertissement:

Pour réduire le risque d'incendie ou de choc électrique, ne pas exposer cet appareil sous la pluie et l'humidité.

IMPORTANT SAFETY INSTRUCTIONS

- Read these instructions.
- Keep these instructions.
- Heed all warnings.
- Follow all Instructions.
- Do not use this apparatus near water.
- Clean only with dry cloth.
- Do not block any ventilation openings. Install in accordance with the manufacturer's instructions.
- Do not install near any heat sources such as radiators, heat registers, stoves, or other apparatus (including amplifiers) that produce heat.
- Do not defeat the safety purpose of the polarized or grounding - type plug. A polarized plug has two blades with one wider than the other. A grounding type plug has two blades and a third grounding prong. The wide blade or the third prong are provided for your safety. If the provided plug does not fit into your outlet, consult an electrician for replacement of the obsolete outlet.
- Protect the power cord from being walked on or pinched particularly at plugs, convenience receptacles, and the point where they exit from the apparatus.
- Only use attachments/accessories specified by the manufacturer.
- Use only with the cart, stand, tripod, bracket, or table specified by the manufacturer, or sold with the apparatus. When a cart is used, use caution when moving the cart/apparatus combination to avoid injury from tip-over.
- Unplug this apparatus during lightning storms or when unused for long periods of time.
- Refer all servicing to qualified service personnel. Servicing is required when the apparatus has been damaged in any way, such as power-supply cord or plug is damaged, liquid has been spilled or objects have fallen into the apparatus, the apparatus has been exposed to rain or moisture, does not operate normally, or has been dropped.
- The apparatus shall be used in an open area.
Cet appareil doit être utilisé dans un endroit à aire ouverte.
- Apparatus shall not be exposed to dripping or splashing and that no objects filled with liquids, such as vases, shall be placed on apparatus.
L'appareil ne doit pas éclaboussures et aucun objet ne contenant de liquide, tel qu'un vase, ne doit être placé sur l'objet.
- Mains plug is used as disconnect device. It shall remain readily operable and should not be obstructed during intended use. To completely disconnect the apparatus from supply mains, the mains plug of the apparatus shall be disconnected from the mains socket outlet completely.
La prise du secteur et utilisé pou déconnecter le système. La prise du secteur ne doit pas être obstruée ou doit être facilement accessible pendant son utilisation. Pour être complètement déconnecté de l'alimentation d'entrée, la prise doit être débranchée du secteur.



Fostex

FOSTEX CO.
3-2-35 Musashino, Akishima-shi, Tokyo, Japan 196-0021