

PW80K

Features

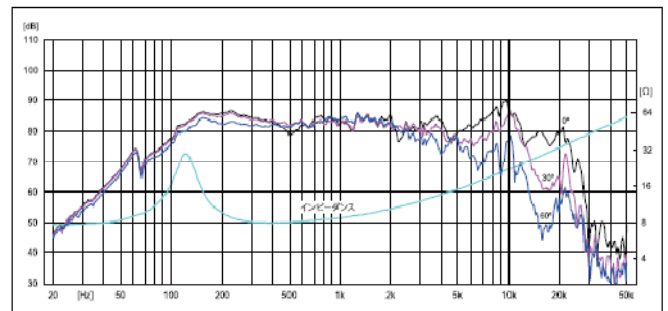
- * PW80K is the recommendable woofer for beginners of 2-way system building.
- * Combination with the sensitivity matched tweeter PT20K, 2-way system is easy of assembling without tweeter level attenuation.
- * Extended high frequency (23kHz) and broad directional pattern bring a various tweeter selection. It makes you feasible to create the sound of your taste.
- * Diaphragm is made of wooden pulp having a moderate durability and internal loss. On the other hand, the urethin foam is employed for surround material. Rich low frequency sound for 3" size is brought by the combination of this selected diaphragm & surround materials.



Specifications & Thiele/Small Parameters

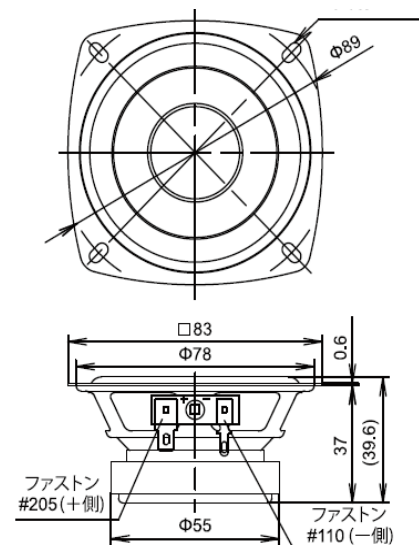
| | |
|---------------------------------|-------------------------|
| Size | : 80mm / 3.2" |
| Voice Coil Diameter | : 20mm / 0.79" |
| Frame Material | : Stamped |
| Impedance | : 8Ω |
| Reproduction Frequency Response | : fs to 23kHz |
| Sound Pressure Level | : 83 dB/W(m) |
| Rated Input | : 8W |
| Music Power | : 24W |
| Magnet Material | : Ferrite |
| Magnet Weight | : 92g / 0.363lb (main) |
| | : n/a (cancel) |
| Net Weight | : 224g / 0.883lb |
| a | : 30 mm |
| D | : 60 mm |
| Sd | : 0.0028 m ² |
| Zn | : 8 Ω |
| Fs | : 130 Hz |
| Re | : 7.4 Ω |
| Le | : 0.29 mH |
| Qms | : 5.48 |
| Qes | : 1.41 |
| Qts | : 1.08 |
| Mms | : 2.3 g |
| BL | : 3.163 Tesla/m |
| Vas | : 0.882 L |
| Xmax | : 2.2 mm |
| Eff/n0 | : 0.12 % |
| Cms | : 0.674 m/N |
| EBP | : 92.199 |

Frequency Response



Dimensions

/ Mounting Information



| | |
|----------------------|------------------|
| Overall Diameter | : 83mm / 3.3" |
| Baffle Hole Diameter | : 79mm / 3.2" |
| Depth | : 39.6mm / 1.56" |