

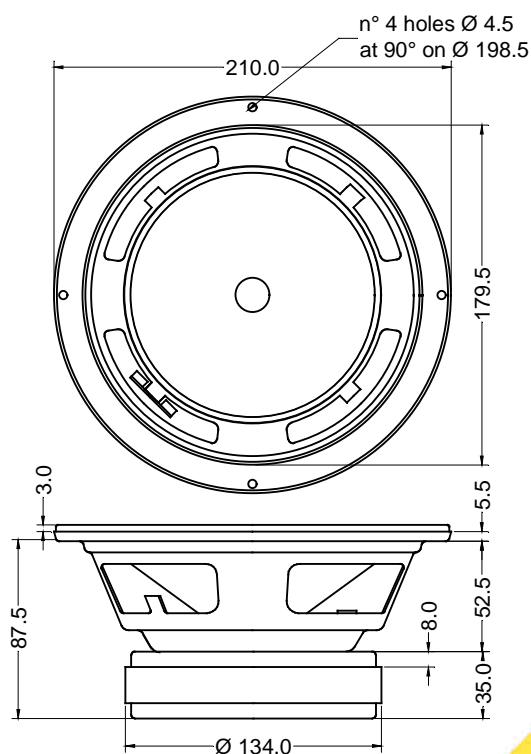
- Punch sound bass guitar loudspeaker
- 2" voice coil Kapton former
- Ferrite magnet circuit
- 95.0 dB sensitivity



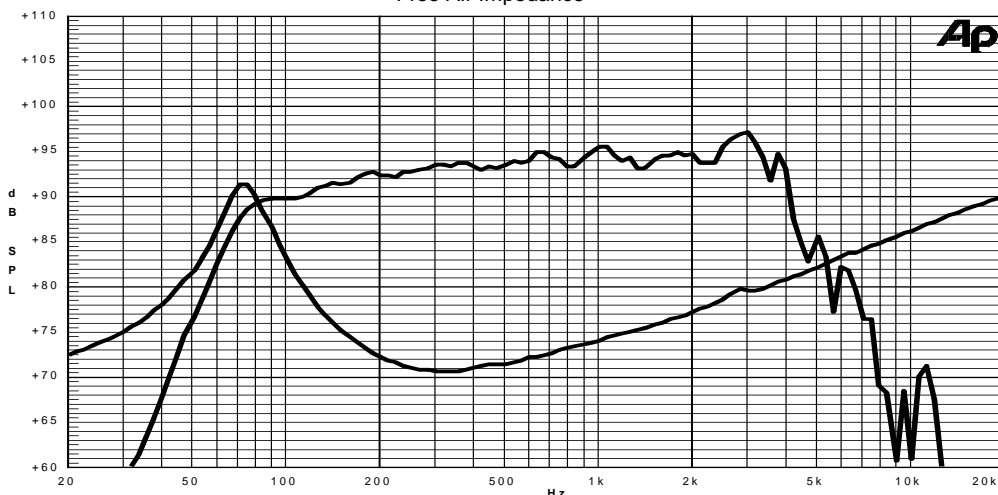
Specifications	
Nominal Diameter	209mm (8")
Nominal Impedance	8Ω
Rated Power AES ⁽¹⁾	150W
Continuous Program Power ⁽²⁾	300W
Sensitivity @ 1W/1m ⁽³⁾	95.0dB
Voice Coil Diameter	50mm (2")
Voice Coil Winding Depth	11 mm
Magnetic Gap Depth	8mm
Flux Density	1.10T
Magnet Weight	1100g
Net Weight	3.1kg

Thiele & Small Parameters ⁽⁴⁾			
Re	6.08Ω	Fs	74.7Hz
Qms	3.61	Qes	0.36
Qts	0.33	Mms	22.4g
Cms	203µm/N	Bxl	13.29Tm
Vas	13.1l	Sd	213.8cm ²
X max ⁽⁵⁾	+/-3.1mm	X var ⁽⁶⁾	+/-6.6mm
η ₀	1.45%	Le (1kHz)	0.71 mH

Constructive Characteristics	
Magnet	: Ferrite
Basket Material	: Pressed Sheet Steel
Voice Coil Winding Material	: Copper
Voice Coil Former Material	: Kapton
Cone Material	: Paper
Cone Treatment	: No
Surround Material	: Treated Cloth
Dust Dome Material	: Solid Paper



Frequency Response on 15 Litres Vented Box @ 1W, 0.5m, normalized to SPL 1m
Free Air Impedance



Note:

- 1 : Rated Power measured with 2 hours test with pink noise signal, 6dB crest factor, loudspeaker mounted on enclosure
- 2: Power on Continuous Program is defined as 3 dB greater than the Rated Power
- 3: Calculated by Thiele & Small parameters
- 4: Thiele & Small parameters measured with laser system without preconditioning test
- 5: Measured with respect to a THD of 10% using a parameter-based method
- 6: Value corresponding to a decay of the Force Factor, or Compliance, or both, equal to the 50% of the small signal value.
- 7: Drawing dimensions: mm