

GENERAL CHARACTERISTICS

Nominal Overall Diameter	259	mm
Nominal Voice Coil Diameter	32	mm
Magnet Weight	426	g
Flux Density	0.92	T

THIELE-SMALL PARAMETERS

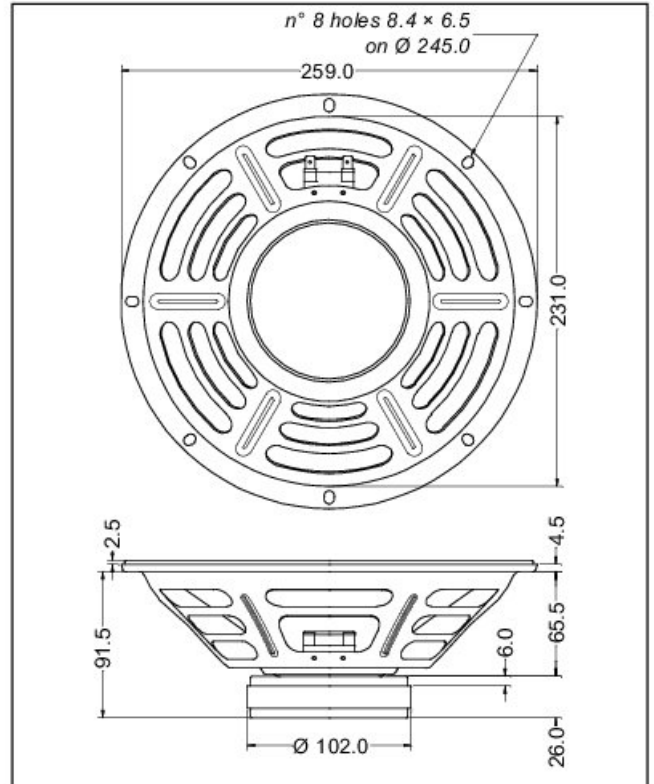
Voice Coil DC Resistance	R_E	12.00	Ω
Resonance Frequency	f_s	105.0	Hz
Mechanical Q Factor	Q_{MS}	13.06	
Electrical Q Factor	Q_{ES}	2.01	
Total Q Factor	Q_{TS}	1.74	
Mechanical Moving Mass	M_{MS}	14.7	g
Mechanical Compliance	C_{MS}	156.0	μm/N
Force Factor	$B \times l$	7.60	Wb/m
Equivalent Acoustic Volume	V_{AS}	23.9	lt.
Maximum Linear Displacement ...	X_{MAX}	1.50	mm
Reference Efficiency	η_0	1.33	%
Diaphragm Area	S_D	330.0	cm ²
Losses Electrical Resistance	R_{ES}	80.0	Ω
Voice Coil Inductance @ 1kHz	L_E	1.00	mH

CONSTRUCTIVE CHARACTERISTICS

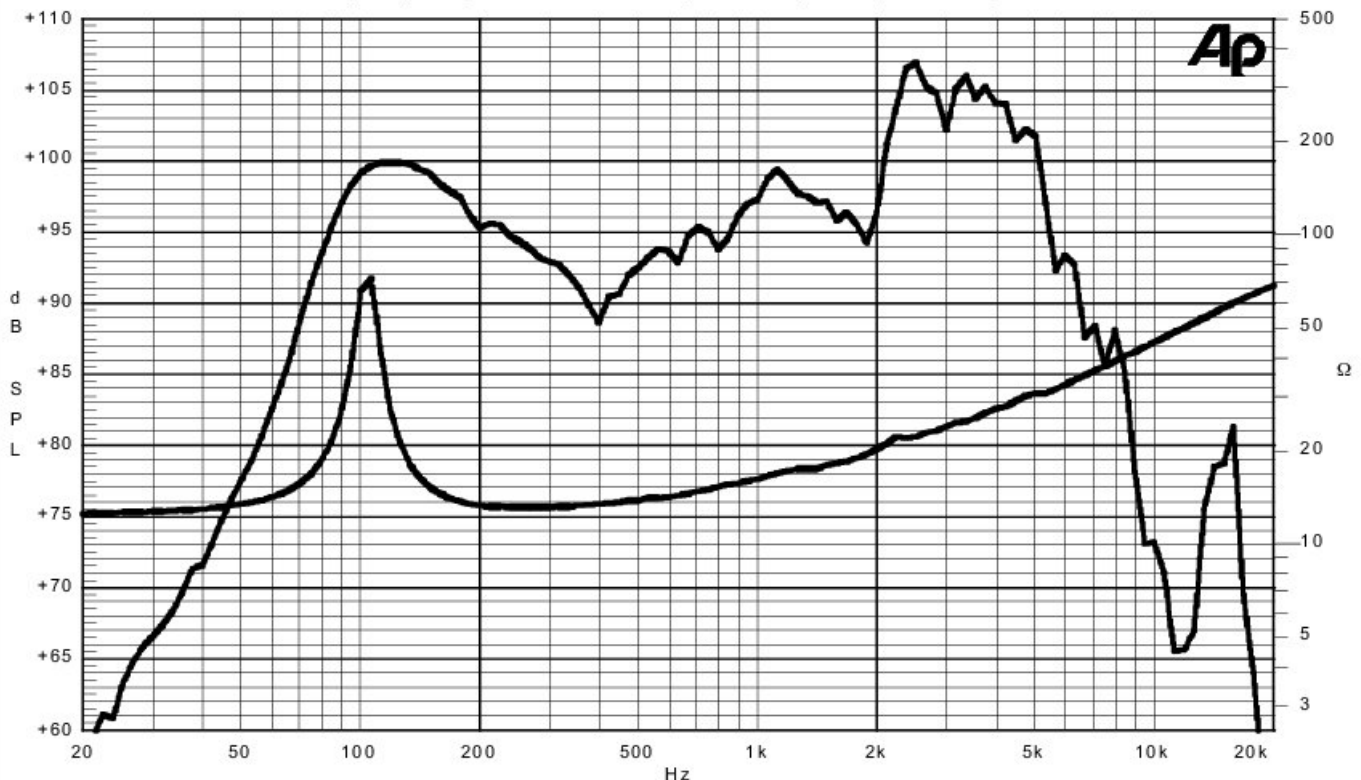
Magnet	Ferrite
Voice Coil Winding	Copper
Voice Coil Former	Epotex
Cone	Paper
Surround	Integrated Paper
Dust Dome	Solid Paper
Basket	Pressed Sheet Steel

ELECTRICAL CHARACTERISTICS

Nominal Impedance	16	Ω
Rated Power (DIN 45573 - IEC 268.5)	35	W
Musical Power (DIN 45500)	70	W
Sensitivity @ 1 W, 1 m	94.5	dB



Frequency Response on IEC Baffle (DIN 45575) @ 1 W, 1 m - Impedance



Due to continuing product improvement, the features and the design are subject to change without notice.

02/10/2000