

GENERAL CHARACTERISTICS

| | | |
|-----------------------------------|------|----|
| Nominal Overall Diameter | 307 | mm |
| Nominal Voice Coil Diameter | 50 | mm |
| Magnet Weight | 1450 | g |
| Flux Density..... | 1.10 | T |

THIELE-SMALL PARAMETERS

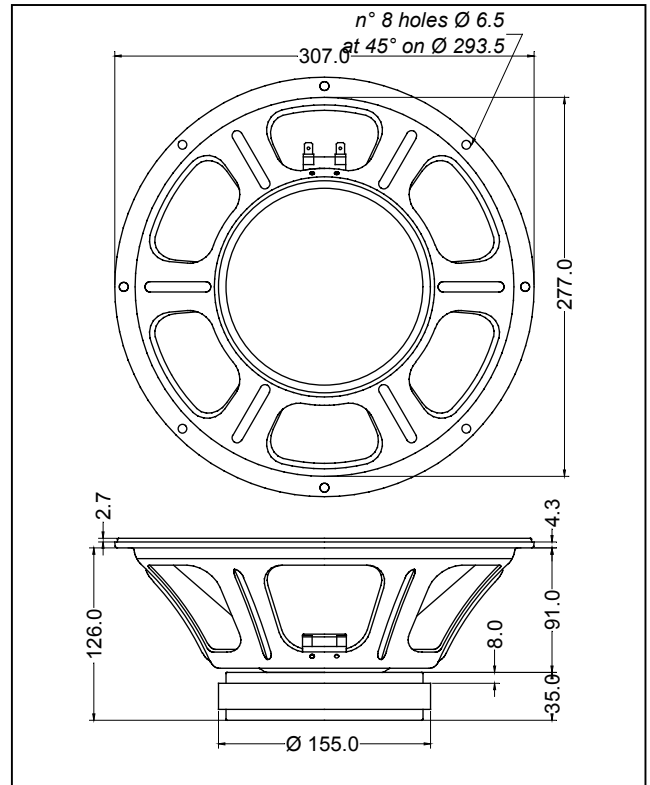
| | | | |
|------------------------------------|--------------|-------|-----------------|
| Voice Coil DC Resistance | R_E | 3.25 | Ω |
| Resonance Frequency | f_s | 102.0 | Hz |
| Mechanical Q Factor..... | Q_{MS} | 19.80 | |
| Electrical Q Factor..... | Q_{ES} | 0.54 | |
| Total Q Factor | Q_{TS} | 0.52 | |
| Mechanical Moving Mass | M_{MS} | 34.9 | g |
| Mechanical Compliance | C_{MS} | 70 | μm/N |
| Force Factor | $B \times l$ | 11.65 | Wb/m |
| Equivalent Acoustic Volume..... | V_{AS} | 23.6 | lt. |
| Maximum Linear Displacement ... | X_{MAX} | 1.5 | mm |
| Reference Efficiency | η_0 | 4.47 | % |
| Diaphragm Area | S_D | 490.9 | cm ² |
| Losses Electrical Resistance..... | R_{ES} | 120.0 | Ω |
| Voice Coil Inductance @ 1kHz | L_E | 0.61 | mH |

CONSTRUCTIVE CHARACTERISTICS

| | |
|-------------------------|---------------------|
| Magnet..... | Ferrite |
| Voice Coil Winding..... | Copper |
| Voice Coil Former..... | Kapton |
| Cone | Paper |
| Surround..... | Integrated Paper |
| Dust Dome | Non Treated Cloth |
| Basket | Pressed Sheet Steel |

ELECTRICAL CHARACTERISTICS

| | | |
|---|------|----|
| Nominal Impedance..... | 4 | Ω |
| Rated Power (DIN 45573 - IEC 268.5) | 100 | W |
| Musical Power (DIN 45500) | 200 | W |
| Sensitivity @ 1 W, 1 m | 99.4 | dB |



Frequency Response on IEC Baffle (DIN 45575) @ 1 W, 1 m - Impedance

