

12" - 200W Neodymium Guitar Loudspeaker

N 12/100 TR - 16 Ω

Code ZJ06365

GENERAL CHARACTERISTICS

| | | |
|-----------------------------------|------|----|
| Nominal Overall Diameter | 307 | mm |
| Nominal Voice Coil Diameter | 50 | mm |
| Magnet Weight | 200 | g |
| Flux Density..... | 1.20 | T |
| Weight..... | 2.00 | Kg |

THIELE-SMALL PARAMETERS

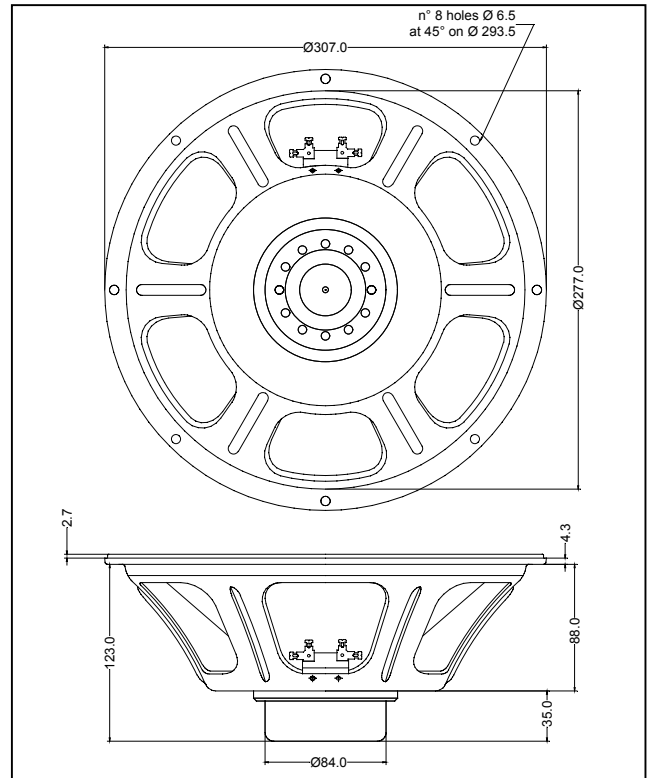
| | | | |
|------------------------------------|--------------|--------|-----------------|
| Voice Coil DC Resistance | R_E | 13.12 | Ω |
| Resonance Frequency | f_s | 70.0 | Hz |
| Mechanical Q Factor..... | Q_{MS} | 14.28 | |
| Electrical Q Factor..... | Q_{ES} | 0.74 | |
| Total Q Factor | Q_{TS} | 0.70 | |
| Mechanical Moving Mass | M_{MS} | 31.9 | g |
| Mechanical Compliance | C_{MS} | 163 | μm/N |
| Force Factor | $B \times l$ | 15.72 | Wb/m |
| Equivalent Acoustic Volume..... | V_{AS} | 55.7 | lt. |
| Maximum Linear Displacement | X_{MAX} | +/-1.0 | mm |
| Reference Efficiency | η_0 | 2.45 | % |
| Diaphragm Area | S_D | 490.9 | cm ² |
| Losses Electrical Resistance..... | R_{ES} | 252.5 | Ω |
| Voice Coil Inductance @ 1kHz | L_E | 1.16 | mH |

CONSTRUCTIVE CHARACTERISTICS

| | |
|-------------------------|---------------------|
| Magnet..... | Neodymium |
| Voice Coil Winding..... | Copper |
| Voice Coil Former..... | Nomex |
| Cone | Paper |
| Surround..... | Paper - Integrated |
| Dust Dome | Non Treated Cloth |
| Basket | Pressed Sheet Steel |

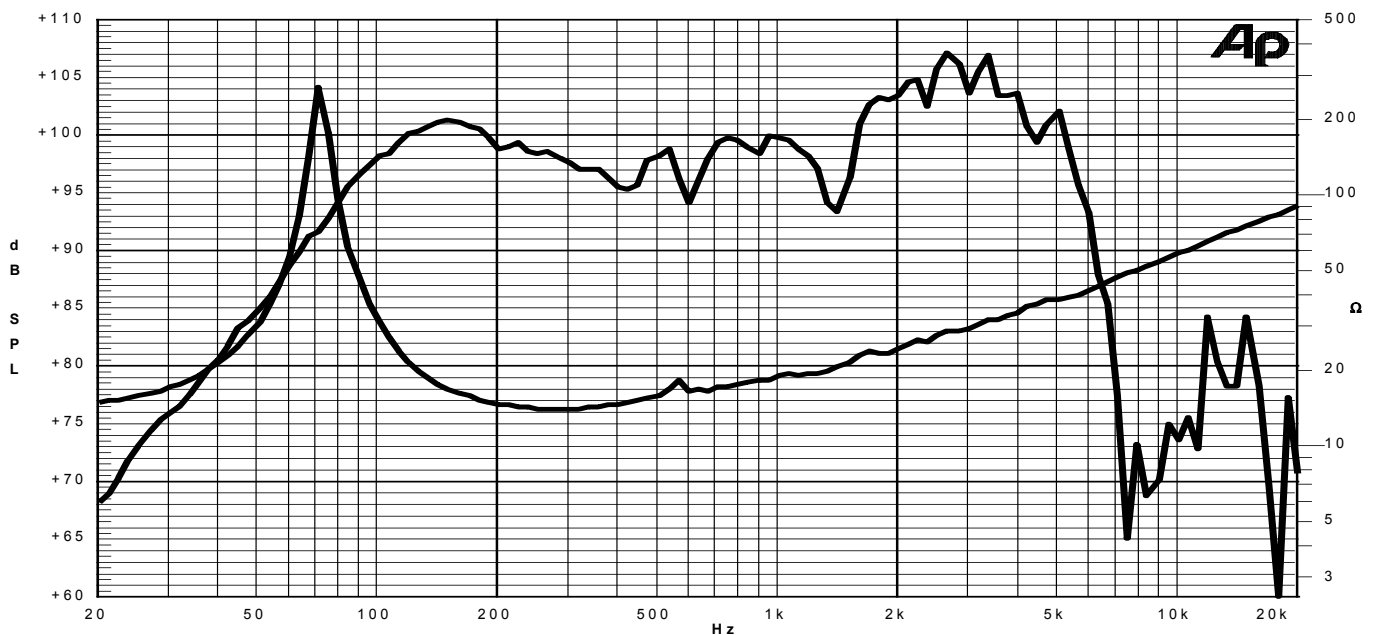
ELECTRICAL CHARACTERISTICS

| | | |
|------------------------------|------|----|
| Nominal Impedance..... | 16 | Ω |
| Musical Power | 200 | W |
| Rated Power* | 100 | W |
| Sensitivity @ 1 W, 1 m | 97.0 | dB |



*rated power measured with 2 hours test with pink noise signal, 6 dB crest factor, loudspeaker mounted on enclosure
Thiele-Small parameters measured with I ASFR system

Frequency Response on IEC Baffle (DIN 45575) @ 1 W, 1 m - Impedance



Due to continuing product improvement, the features and the design are subject to change without notice.

28/08/07