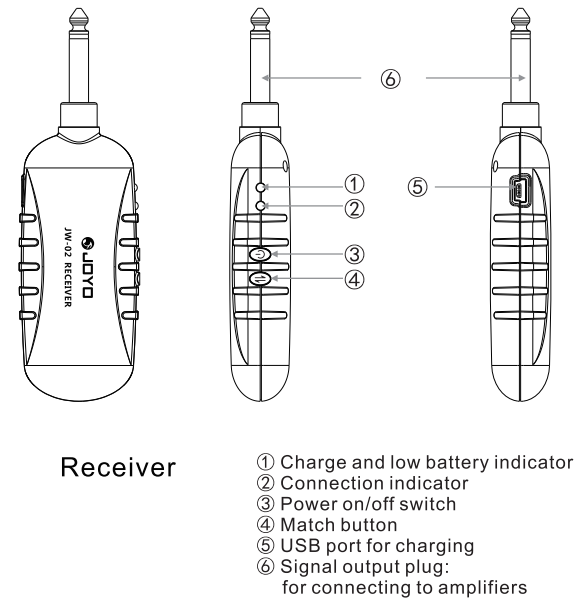
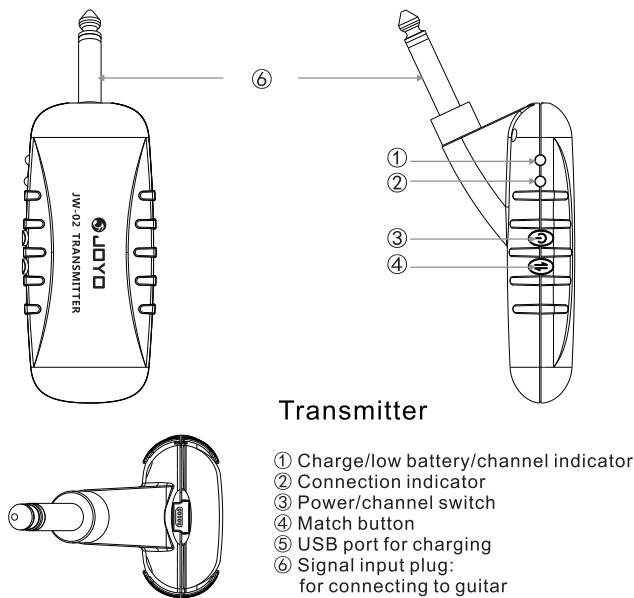


Thank you for purchasing our products, please read these instructions carefully before use .

I. Caution:

1. Do not disassemble or repair this product by yourself.
2. Do not use or store it to any heat sources, damp, dusty areas. Avoid violent vibrations or shock.
3. Do not drop this product otherwise it may malfunction.
4. Do not use alcohol or other cleaning fluids to clean this product.
5. This product works normally only when the transmitter matches with the receiver. It supports one-to-one and one-to-many.
6. Please make sure the transmitter and the receiver keep a distance away from wireless router or other wireless equipments during use.
7. Obstructions between the transmitter and the receiver may affect the transmission distance.
8. A maximum of 4 sets of transmitters and receivers can be used in the same place simultaneously.
9. If the red light flashes during use, it indicates low battery, please charge it in time.
10. Please turn off the transmitter and the receiver when not in use.
11. Due to one of the characteristics of lithium battery, there is a slight self-discharge. Therefore please charge the battery in 2 months so as to avoid low battery protection.
12. The lithium battery capacity decreases gradually after repeated charge and discharge, so this product's lifetime will be affected within acceptable degree with time.

II. Components and functions:



III. Instructions:

1. One transmitter to one receiver:

- A. Switch on the transmitter and the receiver, and then match the 2 products. If the green light is not on, please long press the match buttons of the transmitter and the receiver for more than 3 seconds, the green lights of the transmitter and the receiver will flash, they are matched when the 2 green lights stop flashing. Repeat the above operation if still not matched.
- B. Once they are matched, the system will memorize it. So from next time, no need to repeat the match operation, the receiver' s green light will be on. If you want to match it with other similar products, operate according to the first procedure.

2. One transmitter to many receivers:

The receivers match with the same transmitter separately, then switch on all the products. Please refer to “one transmitter to one receiver” for detailed operation.

3. Switch channel: JW-02 features 4 channels, when several sets of JW-02 are being used simultaneously or has interference, you can choose different channel on your own to avoid interference.

- A. Several sets of JW-02 are being used simultaneously: 4 sets of JW-02 can be used simultaneously, and you need to set each channel manually. Please note that when tap the Power/ channel switch, the red indicator will flash. And then pay attention to how many times it flashes, as the times indicate channel value.
- B. If there is any signal interference when working in the default channel, please tap the Power/channel switch so as to avoid interference.

IV. How to charge:

1. If the red light flashes after you switch on the the transmitter or the receiver, it indicates low battery, please charge it in time.
2. If you need a full charge ASAP, then please turn off the transmitter and the receiver while charging.
3. During charging, if the indicator shows red, it means charging. If the red light is off, it means full battery.
4. Please use the attached charger or USB cable for charging.
5. When the product is not in use for a long time or fail to charge in time, low battery protection may occur. Precharge is needed, as the charging current is small, therefore the charging time increases accordingly.

JOYOTECHNOLOGY CO., LTD

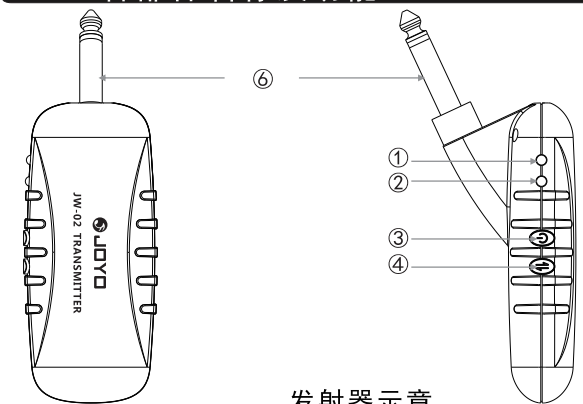
Address: 2/F, Lushi Industry Building, 28th District, Bao'an, Shenzhen, 518133 China.
www.joyoaudio.com Email:info@joyoaudio.com Tel: 0086-755-29765381

感谢您购买我司的产品，请在使用前仔细阅读此说明书。

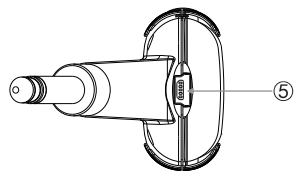
一、注意事项：

- 1、切勿擅自拆卸、改装、修理机器，以免发生短路。
- 2、勿在高温、潮湿、油污、强烈震动处使用机器。
- 3、勿将机器摔落，或落在坚硬物体表面，以免机器操作失常。
- 4、勿用酒精等稀释性液体擦洗机器表面，以免机器受损。
- 5、发射器和接收器一定要配对才能正常工作，支持一对一和一对多方式。
- 6、为保证本机正常工作，发射器或接收器不要太过接近无线路由器等无线设备。
- 7、在发射器和接收器之间如有大障碍物，可能会影响传输距离。
- 8、在同一区域内本品最多可以同时使用四对。
- 9、工作过程中如红灯闪烁说明机器处于低电，此时传输距离和效果会受到低电的影响，请及时充电。
- 10、不使用时请务必把发射器和接收器电源关掉，避免影响电池的寿命和性能。
- 11、出于锂电池的特性，电池会有微弱自放电现象，长时间不使用请在两个月内充电以防电池进入低电保护状态。
- 12、出于锂电池的特性，随着充放电次数的增加，电池容量会有缓慢下降，产品的最大使用时间会相应下降。

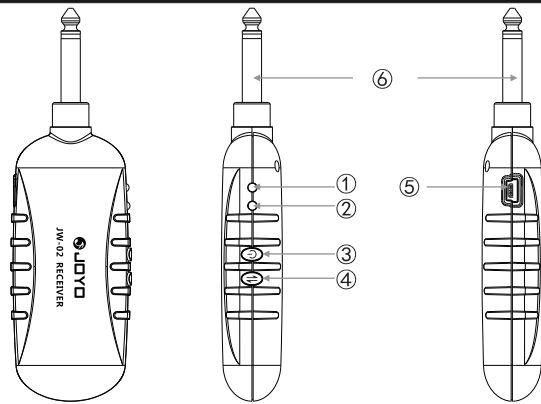
二、各部件名称及功能：



发射器示意



- ① 充电/低电/信道指示灯
- ② 连接指示灯
- ③ 电源/信道切换开关
- ④ 配对按钮
- ⑤ USB充电接口
- ⑥ 信号输入插头：
用于连接吉他



接收器示意

- ① 充电与低电指示灯
- ② 连接指示灯
- ③ 电源开关
- ④ 配对按钮
- ⑤ USB充电接口
- ⑥ 信号输出插头：
用于连接音箱等收音设备

三、使用说明：

1. 一个发射器对一个接收器的使用方法：

- (1) 打开发射器和接收器电源，如果绿灯不是常亮状态，请同时长按发射器和接收器的配对按钮超过三秒，发射器和接收器绿灯会闪烁，当绿灯都不再闪烁表示配对和连接成功。否则重复上述配对过程。
- (2) 一旦配对成功，会记忆配对，上电后无需重复配对操作，接收器的指示灯会常亮绿灯。若需要和另外的同类产品配对，请按第一步进行配对操作即可。

2. 一个发射器对多个接收器的使用方法：

接收器分别与同一个发射器配对，再同时打开即可。配对过程请参看一对一的配对方法。

3. 切换信道,本套产品有四个信道可选，在多套产品一起使用或者受到干扰时，可以自主选择信道以避免干扰。

- (1) 多套产品一起使用：本产品可以支持四套一起使用，需要手动给每套产品分配信道。短按电源/信道切换开关，红色指示灯会闪烁。注意闪烁的次数，闪亮的次数表示信道值。
- (2) 如果发现默认信道内工作时受到干扰，可以短按电源/信道切换开关避开干扰。

四、充电说明：

1. 在打开电源后如红色指示灯闪烁，说明机器处于低电状态下，请及时充电。
2. 为了尽量快速的充满电池，推荐关闭电源开关后进行充电。
3. 在充电时指示灯会常亮红灯，表示电池未充满，充电过程中如红灯灭表示电池已充满。
4. 推荐使用配套充电器进行充电或连接电脑的USB接口进行充电。
5. 长时间未使用或者低电后未及时充电可能会使电池进入保护状态。此时会预先充电，充电电流较小，充电时间会相应增加。

卓乐产品服务政策

一、在正常使用产品过程中，如果产品出现非人为损坏的性能故障，自购买之日起，消费者享有保修服务，保修期为12个月。

二、有下列情况之一者，消费者不能享受保修权益。

- 1、人为损坏；2、超过保修期；3、无保修卡及有效发票，但能够证明产品在保修期内的除外；
- 4、保修卡与产品型号不符，或保修卡被涂改；5、未按说明书要求使用、维护、保养而造成产品损坏；6、未经卓乐公司授权，擅自拆卸、维修产品、或浸水、摔坏产品；7、其他不可抗力造成的损坏。

三、卓乐服务信息

消费者服务热线：0755-29765390

更多信息请访问：www.joyochina.cn



卓乐产品保修卡

产品型号	姓名	SN号码
	电话	购机日期
用户信息	地址	
	发票号码	
销售单位信息	名称（加盖公章）	
	地址	
	电话	

品牌:JOYO

名称:无线系统

执行标准:EN 300636-2001

制造商:深圳市卓乐科技有限公司

地址:广东省深圳市宝安区新安三路陆氏工业大厦2楼 邮编:518133

售后服务热线:0755-29765390

产品合格证

检验结论 合格

检验员号 QC 01

日期