

**KURZWEIL®**

# KP10

## USER'S MANUAL

English Manual

**HDC YOUNG CHANG**

# INFORMATION FOR YOUR SAFETY!

## THE FCC REGULATION WARNING (for USA)

This equipment has been tested and found to comply with the limits for a Class B digital device, pursuant to Part 15 of the FCC Rules.

These limits are designed to provide reasonable protection against harmful interference in a residential installation. This equipment generates, uses, and can radiate radio frequency energy and, if not installed and used in accordance with the instructions, may cause harmful interference to radio communications. However, there is no guarantee that interference will not occur in a particular installation. If this equipment does cause harmful interference to radio or television reception, which can be determined by turning the equipment off and on, the user is encouraged to try to correct the interference by one or more of the following measures:

- Reorient or relocate the receiving antenna.
- Increase the separation between the equipment and receiver.
- Connect the equipment into an outlet on a circuit different from that to which the receiver is connected.
- Consult the dealer or an experienced radio/TV technician for help.

Unauthorized changes or modification to this system can void the user's authority to operate this equipment.

### CAUTION

The normal function of the product may be disturbed by Strong Electro Magnetic Interference. If so, simply reset the product to resume normal operation by following the owner's manual. In case the function could not resume, please use the product in other location.

## PRECAUTIONS

### PLEASE READ CAREFULLY BEFORE PROCEEDING

Please keep this manual in a safe place for future reference.

#### Power Supply

Please connect the designated DC adaptor to an AC outlet of the correct voltage.

Do not connect it to an AC outlet of voltage other than that for which your instrument is intended.

Unplug the DC power adaptor when not using the instrument, or during electrical storms.

#### Connections

Before connecting the instrument to other devices, turn off the power to all units. This will help prevent malfunction and / or damage to other devices.

#### Location

Do not expose the instrument to the following conditions to avoid deformation, discoloration, or more serious damage:

- Direct sunlight
- Extreme temperature or humidity
- Excessive dusty or dirty location
- Strong vibrations or shocks
- Close to magnetic fields

#### Interference with other electrical devices

Radios and televisions placed nearby may experience reception interference. Operate this unit at a suitable distance from radios and televisions.

#### Cleaning

Clean only with a soft, dry cloth.

Do not use paint thinners, solvents, cleaning fluids, or chemical-impregnated wiping cloths.

#### Handling

Do not apply excessive force to the switches or controls.

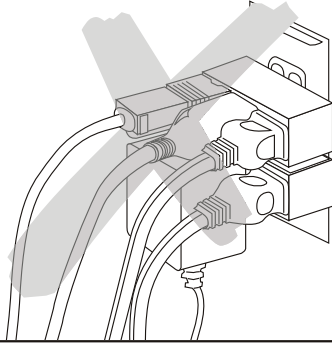
Do not let paper, metallic, or other objects into the instrument. If this happens, remove the electric plug from the outlet. Then have the instrument inspected by qualified service personnel.

Disconnect all cables before moving the instrument.

# Precautions of use

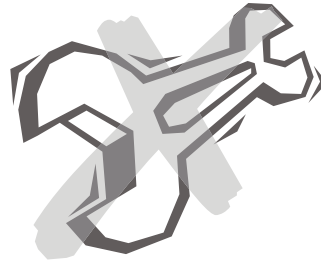
## Do not share the socket with other electrical appliance.

It may lead to overheat of the socket and cause fire or other unexpected accidents

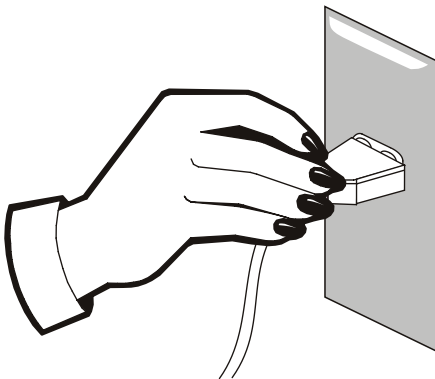


## Do not disassemble, repair or modify the product.

Poor assembly may cause unexpected failure or accident, which may do harm on your interests.



## Cut the power off when you don't use the product to save energy.



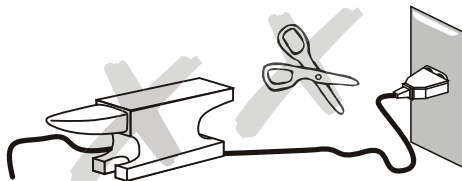
## Use under rated voltage only

The product may not work properly if the voltage is too low, and may even reduce the useful life of the product if the voltage is too high, it will damage the circuit and even cause fire.



## Well keep the cables

Do not cut off, break, drag, distort or modify the cable do not put anything heavy on the cable to avoid breaking it and causing unexpected failure or accident



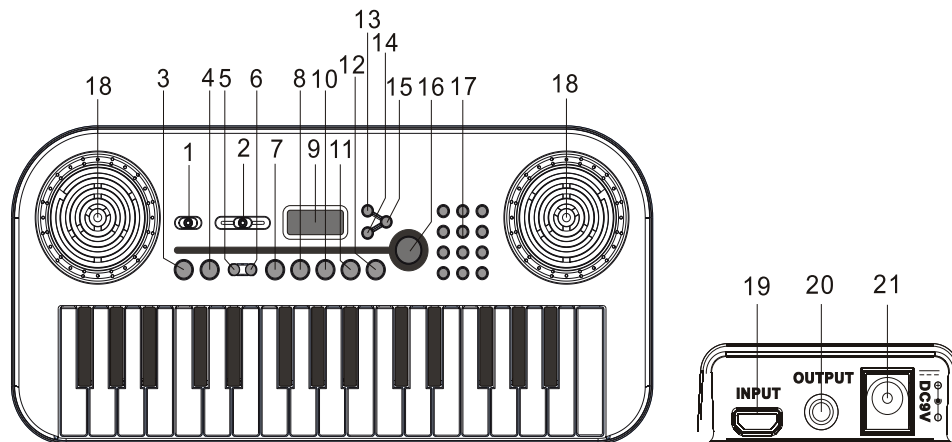
## Never wash the product with water or use it in the bathroom to avoid water penetration and causing unexpected failure or accident.



- Thank you for choosing KP-10. Please read this manual carefully before operation to ensure safety and keep it for future reference.

## Attentions

1. Do not share a socket with other appliances. Socket sharing can easily cause overheating and unexpected accident could happen because of wire burning.
2. Do not disassemble, repair and refit without permission. Self-disassembly or modification can easily cause unanticipated failure and lead to accident. It will seriously affect the consumer's rights.
3. Disconnect the plug when it is out of service.
4. Pay attention to the wire keep and protection. Do not break, pull, distort, and lengthen the wire to avoid unexpected accident. Avoid heavy pressure when keeping and using.
5. Use it at the rated voltage. Playing at the lower voltage cannot get the normal tone and will shorten its life: playing at the higher voltage will burn down the internal circuit and even lead to fire.
6. Do not rinse with water or use in the bathroom to avoid malfunction and unexpected accident.



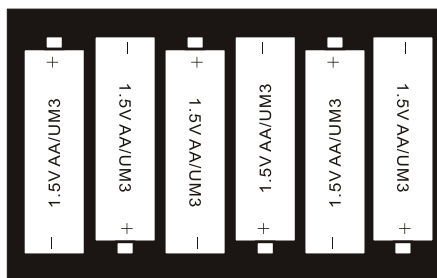
1. Power	8. Rhythm Speed	15. Song
2. Volume	9. LCD	16. Direct Access Piano/Organ/String
3. Start / Stop	10. Keyboard Drum	17. Numeric Buttons
4. Rhythm Fill-in	11. Metronome	18. Speaker
5. Recording	12. Sound Effect	19. Micro USB Type B 5pin input
6. Play	13. Tone	20. Headphone out
7. Rhythm Volume	14. Rhythm	21. 9V DC 500mA input

## Operating Instructions

Before Playing

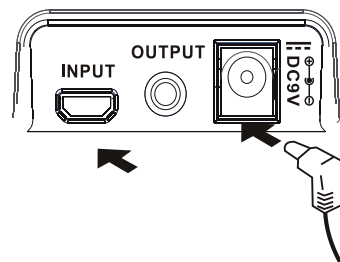
### 1. Power Source

The keyboard can be connected to DC Power supply. Power bank and batteries (rechargeable battery shall not apply). Please cut down the power when the keyboard is out of service. External power supply, Power bank and battery can not be used at the same time : only one allowed. Open the battery cover at the bottom of the keyboard load six No.5 batteries and close the battery cover. Please pay attention to polarity.



**\*Note :** The low-powered batteries will cause the sound distortion and low volume, it should be replaced timely. Do not mix the old and new batteries. Remove the batteries when they are not in use for a long time to prevent battery deterioration and causing damage to the keyboard.

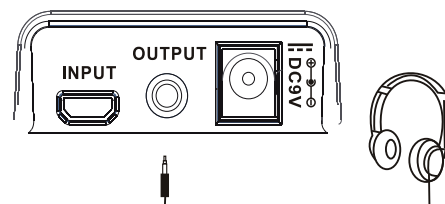
**External DC power supply :** Connect the DC output terminal with the “DC9V DC Input”(21) of the keyboard, and then connect the AC power plug of the external power supply to the mains socket.



**\*Note :** Please use the power supply with applicable parameters only, other types of external power supply may cause flame or electric shock.

### 2. Connector

Headphone Output Interface Insert the headphone plug into the “Headphone Output” (20) on the back of the instrument, at this time, the internal speaker of the keyboard is cut off automatically. With headphone you will not interfere with other during playing, which is especially suitable for personal monitoring and night practice.



## Basic Operation

### 1. Power Switch and Volume Control

Turn "ON" the "Power"(1) switch and the "LCD" (9) display will light on. Adjust the main "Volume" (2) to the appropriate volume; ten levels of accompaniment volume can be adjusted. After pressing the "Rhythm Volume" (7)", choose the "Numbers" (17) to adjust.

### 2. SONG Collections

2.1 Press SONG(15), the built-in demo songs can be played.

2.2 Press SONG(15), choose "Numbers" (17) to play the correspondent one from 30 demo songs.

Once the music stops, you can also press "+" or "-" in the "Numbers" (17) to change the songs performance.

2.3 Repeat the above operation and play the next optional demo song.

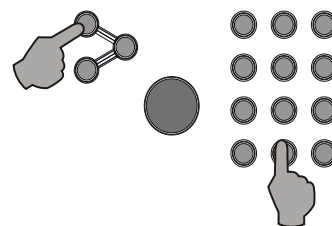
## Operating Instructions

---

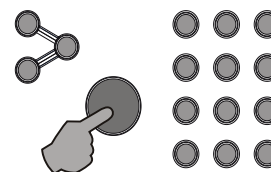
### Tone and Effect

#### 1. TONE Selection

① The keyboard has 128 Tones to choose from. Power on the keyboard, it is piano tone; press the "TONE Selection"(13) button, then choose the "Numbers" (17) to select the desired one. One can also press "+", "-" in the "Numbers" (17) to change the timbre, and the LCD will display the corresponding tone and serial number.



② The keyboard has the function of direct selection of common sounds. The piano, organ and string ensemble are in loop playback when pressing "Direct Access". The LCD displays the corresponding tone and serial number.



#### 2. Sound Effect Selection

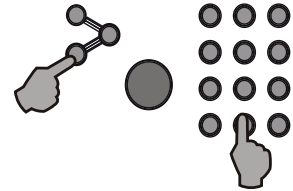
① During keyboard performance, press "Sound Effect" (12) to select the appropriate Sustain, Modulation settings.

② During keyboard performance, press "keyboard Drum" (10) to play and make the corresponding percussion instrument sound.

\* Rhythm

### 1. Rhythm Selection

The Keyboard has 128 rhythms to choose from. Press the “Rhythm” (14) button, then choose the “Numbers” (17) to select the desired one. One can also press “+”, “-“ in the “Numbers”(17) to change the rhythm, and the LCD will display the corresponding rhythm and number.



### 2. Rhythm Start & Stop

Press “Start/Stop”(3) button, rhythm starts: press again, rhythm stops.



### 3. Adjustment of Rhythm Speed

Press button of “Rhythm Tempo”(8), and then choose “+” in the Numbers(17) for speeding up the rhythm: choose “-“ for slowing down the rhythm. Pressing “+” and “-“ together returns to the default speed.



### 4. Drum Rhythm Fill-in

During the rhythm performance, press “Rhythm Fill-in”(4), a short piece of drum melody is inserted into the rhythm.



### 5. Metronome

Press “Metronome”(11), and it will start and show the beating sound of “tick, tick” in the performance. The function for each press: 1/4 beat; 2/4 beat; 3/4 beat; 4/4 beat; stop.

Press and wait for the display to return to normal interface, then press again to exit.

\* Recording

1. Press “Recording”(5) to record the show
2. Press “Play”(6) to play back the recorded show.

## Specification

---

Model	KP-10
Rated Voltage	DC Input: DC-9V/500mA ; Power Bank Input: DC-5V/1A Battery: 1.5V of SUM-3 R6P "AA"
Tone & Rhythm	Standard MIDI style with 128 Tone / 128 rhythms
Music Collection	30 demonstration songs
Control and Sound Effects	Keyboard drum, metronome, vibrato, sustain, etc.
Recording & Play	Recording & play
External Interface	9V DC 500mA input, Micro USB Type B 5 pin input, Headphone out

### Maintenance Precautions

Careful maintenance to the keyboard can extend its life and reduce the fault, please do as the followings:

#### 1. Dust-proof, moisture-proof

Clean appearance should be kept to avoid foreign matters falling into the body through the cracks; the Keyboard should be wept with soft and dry cloth to prevent moisture intrusion; it should be placed at a dry place but avoided for long time exposure under the strong sunshine.

#### 2. Shock-proof

The piano should be handled with care when moving. Violent shaking and collision can break the shell and cause damage to the internal electronics.

#### 3. Anti-corrosion

The instrument should be avoided to contact with acidic or alkaline substances and to work in the occasion with serious corrosive gases to prevent line oxidation.

#### 4. Anti-disassembly

The keyboard is a precision instrument, any changes may cause problems and technical failure. Any problems please contact with company maintenance department or distributor or experienced maintenance personnel. Please do not arbitrarily replace the components.



[www.ycpiano.co.kr](http://www.ycpiano.co.kr)  
[www.kurzweil.com](http://www.kurzweil.com)  
Twitter @KurzweilMusic  
Facebook [Http://www.facebook.com/kurzweilmusicsystems](http://www.facebook.com/kurzweilmusicsystems)

**KURZWEIL**

**HDC YOUNG CHANG**

196, Bongsu-daero, Seo-gu,  
Incheon, Korea

