

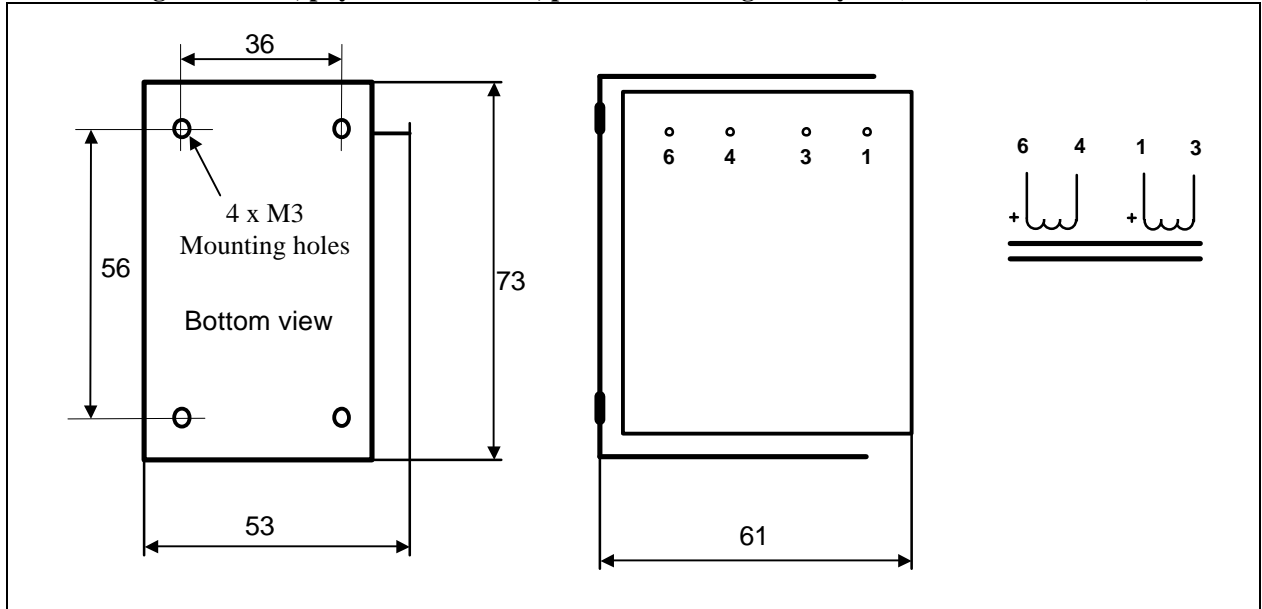
## Choke LL1685

The LL1685 is a 2 coils choke for tube amplifier anode supply.

The choke is available with different core air-gap, which results in different inductance and DC current capability. LL1685 can be used in choke input and cap input applications.

The coil is wound using our standard high internal isolation technique with isolation foil between each copper layer. The core is an audio C-core of our own production.

### Winding schematics, physical dimensions, pin and mounting hole layout (all dimensions in mm)



**Weight:**

0.75 kg

**Static resistance of each winding:**

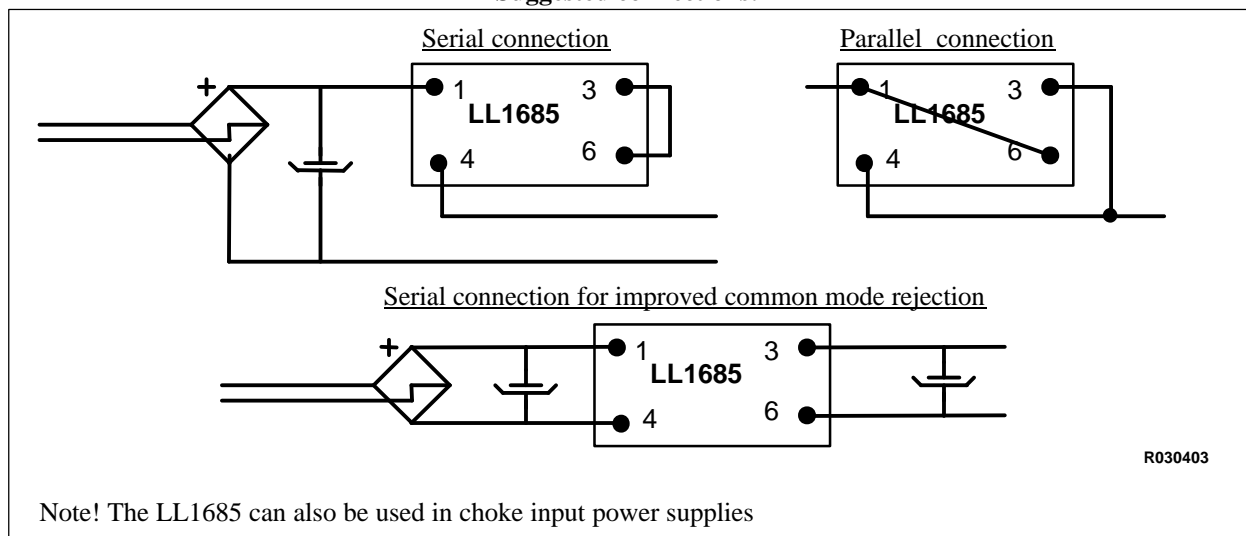
65 Ω

**Isolation between windings / between windings and core:**

4 kV / 2 kV

Type	Coils in series			Coils in parallel		
	Approx. Inductance	Recommended DC current	Saturating current	Approx. Inductance	Recommended DC current	Saturating current
LL1685 / 100mA	17 H	100 mA	145 mA	4 H	200 mA	290 mA
LL1685 / 130mA	13 H	130 mA	190 mA	3 H	260 mA	380 mA
LL1685 / 160 mA	10 H	160 mA	230 mA	2.5 H	360 mA	460 mA
<b>Max. ripple voltage at rec. DC current</b> (Ripple voltage is approx. 0.42 x input voltage)	330V rms / 100 Hz			165V rms / 100 Hz		

### Suggested connections:



R030403

Note! The LL1685 can also be used in choke input power supplies