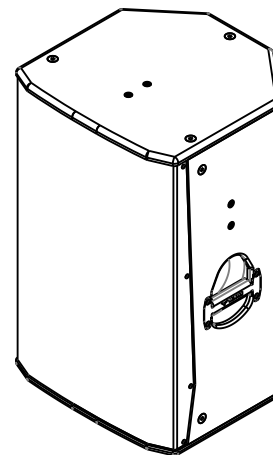


## Presentation:

The DUAL C15 is a trapezoidal-wedged shape multipurpose speaker for use in PA systems or as an on-stage monitor that features a 15" low frequency transducer of 2.5 in VC capable of delivering excellent dynamic range, flat frequency response and a very low distortion figure which combined with 1" (1.73in VC) HF driver result in a superb sound and exceptional performance.

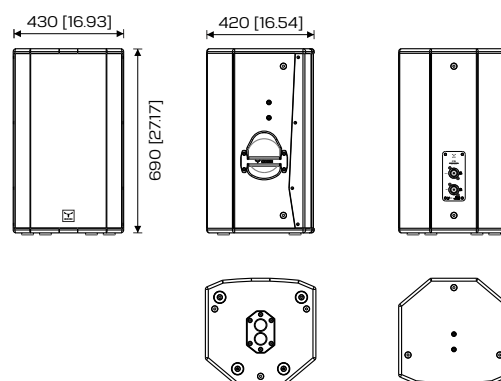
This C15 is prepared to be used as a stage monitor or as a pole mount speaker as the 90°x60° and 60°x90° CD horn can be rotated for vertical and horizontal operation in order to achieve the ideal sound dispersion.

DUAL rugged enclosures are manufactured using 15mm birch plywood painted in hard-wearing and durable polyurea coating, being prepared to be used in flown configuration through 3x M8 inserts and in pole mount thanks to a Ø35mm socket with 0°/5° tilt. This range of Speakers offers exceptional performance making it the perfect professional solution for clubs, bands and DJs and anywhere there is a need for dependable high performance multipurpose loudspeakers.



## Features:

- Multipurpose 2-way passive speaker
- Bass reflex trapezoidal enclosure
- 15" (2.5in VC) MF + 1" (1.73in VC) HF EU transducers
- 2x NL4 connected in parallel
- User-rotatable CD horn 90°x60° for ideal dispersion
- Ø35mm pole mount with 0° and 5° tilt
- Integrated rigging system with 3x M10 inserts
- Rugged and durable 15mm birch plywood
- Powder coated custom perforated steel grille



Dimensions in mm [in]

## Technical specifications:

### Acoustical

Type	2-way passive multipurpose speaker
Enclosure design	Bass reflex, trapezoidal
Power rating (RMS/Peak)	410W / 1100W
Frequency range	50 - 18kHz
Nominal impedance	8 ohm
Transducer type	1x 15" LF (2.5in VC) EU transducer, front loaded 1x 1" HF (1.73in VC) EU transducer
Dispersion	CD horn, 90°x60° and 60°x90° user-rotatable
Crossover frequency	2000Hz
SPL (1W/1kHz)	129dB @ 1m
Connector	2x NL4® in parallel

### Mechanical

Enclosure	15mm birch plywood, rugged polyurea coating
Grille	Custom perforated metal grilles w/ acoustic foam
Color	Black or white textured
Hardware	Ø35mm pole mount with 5° tilt 3x M10 flying points "U" bracket for horizontal and vertical installation
Dimensions	430x420x690mm   16.93x16.54x27.17in
Weight	23Kg   50.71lb