

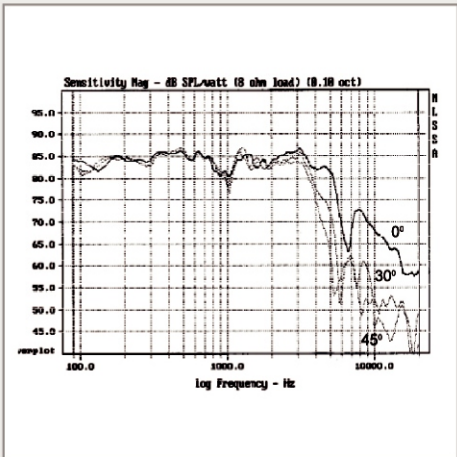
MW 144 -5" BASS MIDRANGE

DCP Cone Double Magnet Vented Motor



FEATURES:

- Large Hexatech aluminum voice coil
- Double magnet system
- High power handling
- Shallow profile DCP cone



Specifications

Overall Dimensions		142mm(5.59")x52mm(2.05")
Nominal Power Handling (DN)	P	150 W
Transient power 10ms		1000 W
Nominal Impedance	Z	8 Ohms
Sensitivity 1W/1M		88 dB
Frequency Response		35 - 5000 Hz
Resonant Frequency	FS	52 Hz

Voice coil

Voice Coil Diameter	DIA	75mm (3")
Voice Coil Height		12.0mm (0.47")
Voice Coil Former		Aluminum
Voice Coil Wire		Hexatech Aluminum
Number of Layers		2
DC Resistance	RE	5.20 Ohms
Voice Coil Inductance @ 1KHz	LBM	0.50 mH

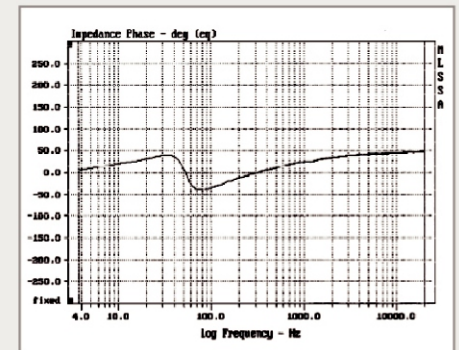
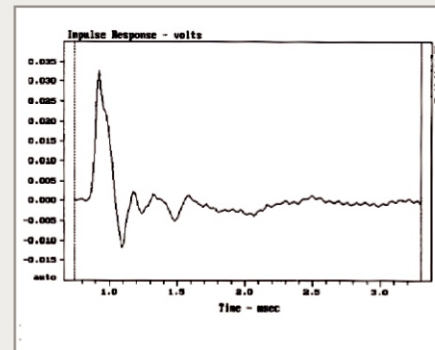
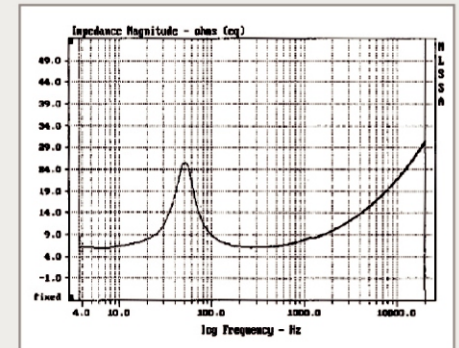
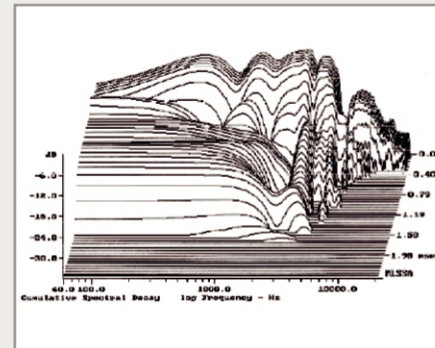
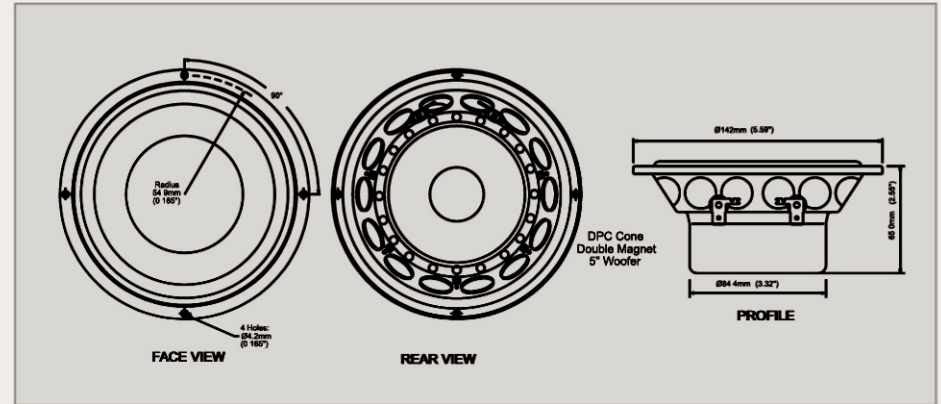
Magnet System

Magnet System Type		Double magnet Ferrite
HE - Magnetic Gap Height	HE	5mm (0.20")
B Flux Density	B	0.68 T
BL Product	BXL	6.20 N.A
Max. Linear Excursion	X	+/-3.5mm (0.137")

Operational Parameters

Suspension Compliance	CMS	686 uM / N
Mechanical Q Factor	QMS	2.44
Electrical Q Factor	QES	0.71
Total Q Factor	Q/T	0.55
Mechanical Resistance	RMS	1.76 Kg.
Moving Mass	MMS	13.68.
Eq. Cas Air Load (liters)	VAS	8.00 L
Cone / Dome Material		DPC
Effective Piston Area	SD	90 cm²
Net Weight	Kg.	1.0 Kg.

MW 144



morel HIGH FIDELITY



www.morelhifi.com