



UW 958

Ultimate Woofer,
 Ø 9", Ø 5.1" voicecoil, 8Ω



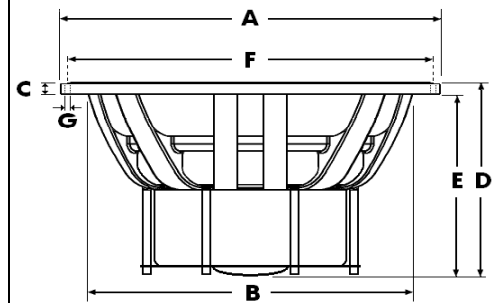
SPECIFICATIONS

General Data		
Overall Dimensions	DxH	222mmx125mm(8.74"x4.92")
Nominal Power Handling (DIN)	P	500W
Transient Power 10ms		1500W
Sensitivity 2.83V/1M		85.8 dB SPL
Frequency Response		See graph
Cone Material		Composite cellular fiber
Net Weight	Kg	5.95
Electrical Data		
Nominal Impedance	Z	8Ω
DC Resistance	Re	6.2Ω
Voice Coil Inductance @ 1KHz	LBM	1.32mH
Voice Coil and Magnet Parameters		
Voice Coil Diameter	DIA	130mm (5.1")
Voice Coil Height		35mm (1.37")
HE Magnetic Gap Height	HE	12mm (0.47")
Max. Linear Excursion	X	± 11.5mm (0.45")
Voice Coil Former		Aluminum
Voice Coil Wire		Hexatech™ Aluminum
Number Of Layers		2
Magnet System Type		High flux double ferrite vented
B Flux Density	B	0.64 T
BL Product	BXL	13 N.A
T-S Parameters		
Suspension Compliance	Cms	0.47mm/N
Mechanical Q Factor	Qms	1.61
Electrical Q Factor	Qes	0.45
Total Q Factor	Qts	0.35
Mechanical Resistance	Rms	7.374Kg/s
Moving Mass	Mms	65.5 g
Eq. Cas Air Load (liters)	VAS	39.5 Lt
Resonant Frequency	Fs	28 Hz
Effective Piston Area	SD	243 cm ²

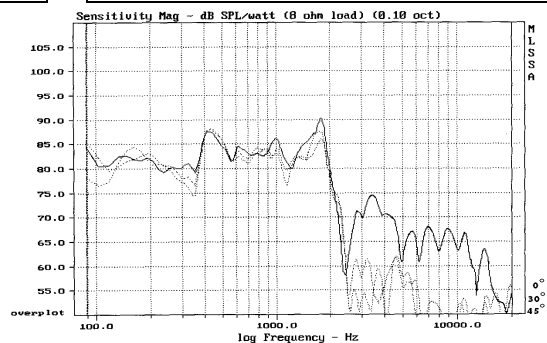
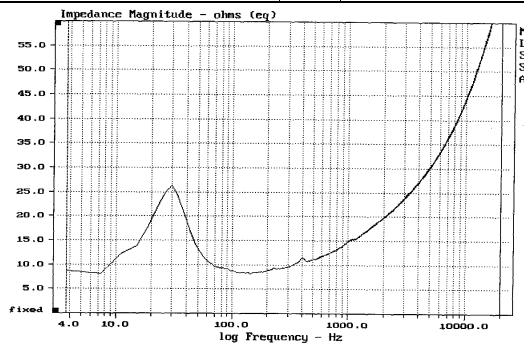
FEATURES

- * Uniflow™ Aluminum diecast chassis
- * High flux double Ferrite magnet system
- * 5.1" Large Hexatech™ Aluminum voice coil
- * One piece paper cone/center dome
- * Accucenter™ self centering cone assembly
- * PFS™ Progression Field Symmetry spider/surround engineering

Unit Dimensions



- A - Overall diameter 222mm
- B - Cut out diameter 189.2mm
- C - Flange thickness 5mm
- D - Overall height 125mm
- E - Basket/magnet depth 120mm
- F - Mounting holes location diameter 213mm
- G - 6 Mounting holes, at 60° interval, inner hole diameter Ø 5mm



Measured on IEC baffle using Bruel & Kjaer 3144 model microphone.

For correct readings, measurement should be conducted after a sufficient run-in period, at minimum temperature of 21° C (69.8° F), for both drive unit and measurement environment.

Morel operate policy of continuous product design improvement, consequently specifications are subject to alteration without prior notice.