

# **MP** MOVING PERMALLOY STEREO CARTRIDGE **Operation Manual**

Read this operation manual before use.  
And keep it handy for reference as  
needed.

**NAGAOKA CO., LTD.**

3-2, Sendagaya 4-chome, Shibuya-ku, Tokyo  
TEL: 03-3479-8101 FAX: 03-3479-9997 / 〒151-0051

**MADE IN JAPAN**

## Thank you for your purchasing Nagaoka MP cartridge

The MP cartridge power generation mechanism, an IM type, is that the magnet outside the vibrating system magnetizes the vibrator. The set magnet selected among the world-proven audio parts uses samarium cobalt magnet that produces the extremely strong magnetic force, and the vibrator uses a pipe of super permalloy that features high permeability. These compact contribute to low distortion in the wide range.

Also, the pole piece cylinder uses carbon fiber reinforced plastic to prevent electrostatic noise and to get high strength. And the shield case is made of super permalloy. These help to control unnecessary resonance and maintain high SN ratio.

### ● Precautions when using

The MP cartridge is factory-adjusted in very accurate way so be careful not to drop it or touch the stylus tip.

Keep the stylus tip and the disc grooves free of dirt, dust etc. Playing a disc with foreign matter causes damage to the stylus tip and the disc grooves. If dust is stuck to the stylus tip, carefully brush it off with a soft material in a direction from the back to the front side of the stylus tip.

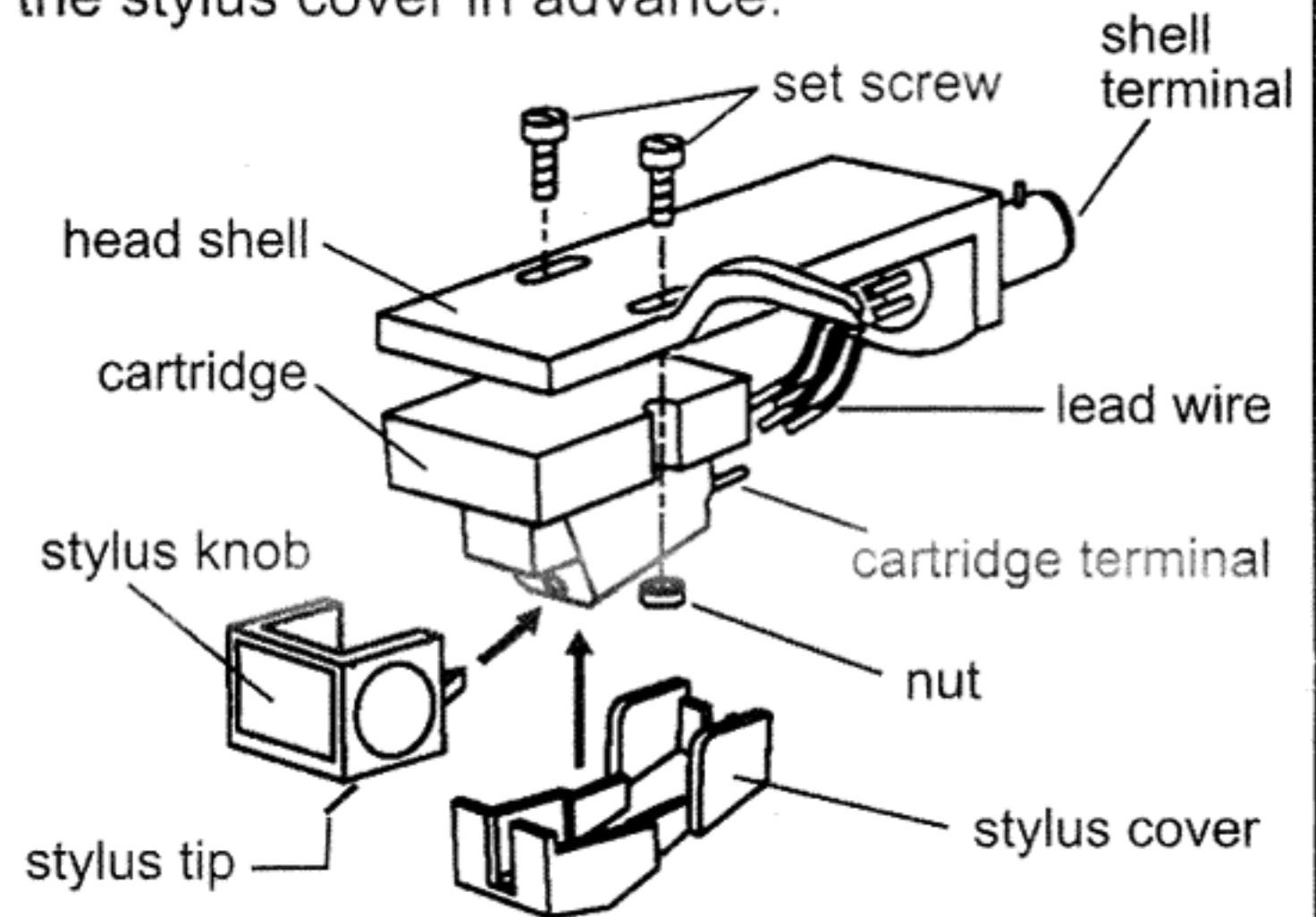
Recommend using the stylus tip cleaner (High-Clean #801/2 optional).

### ● Precautions when installing

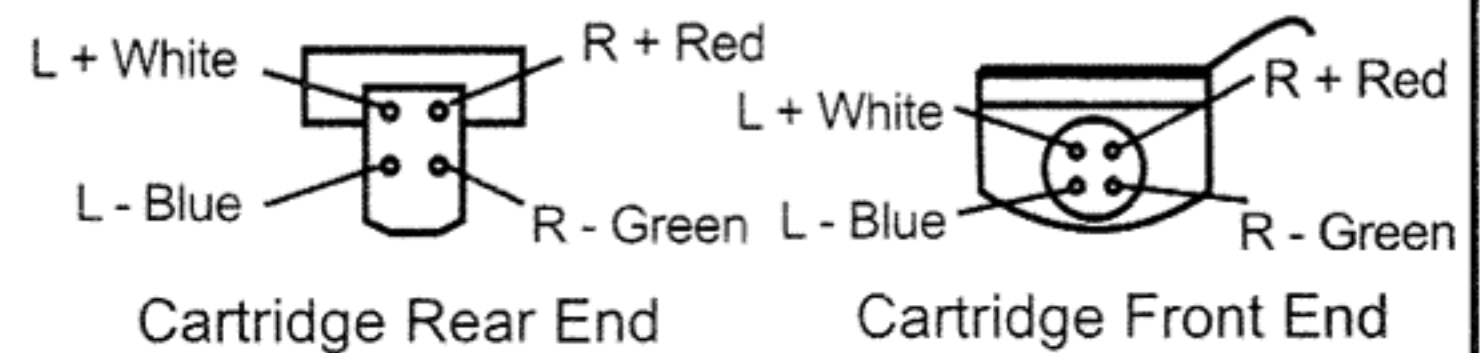
Properly install the MP cartridge on the head shell to prevent resonance. Also, connect the lead wires correctly. Do not attempt to solder the connections. Failure to observe this may cause disconnection and other failure.

### ● How to install MP cartridge

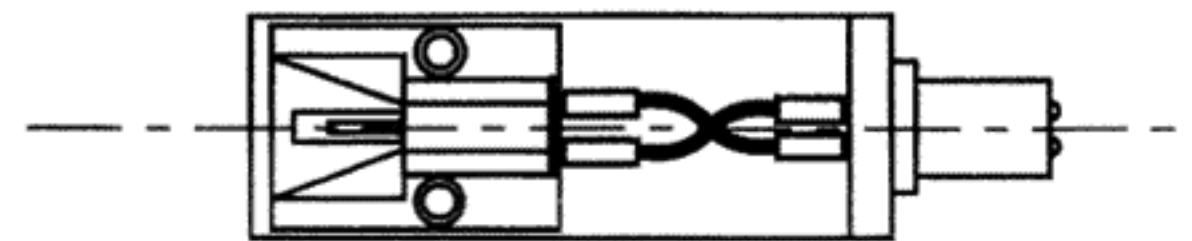
To protect the stylus tip remove the stylus and the stylus cover in advance.



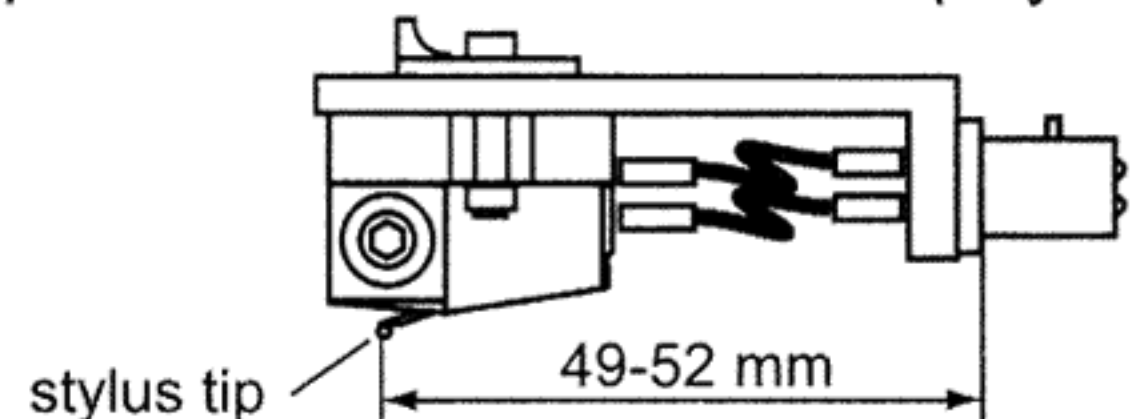
Connect the lead wires to the cartridge terminals according to the matching symbols and colors.



Install the cartridge straight, not inclined.

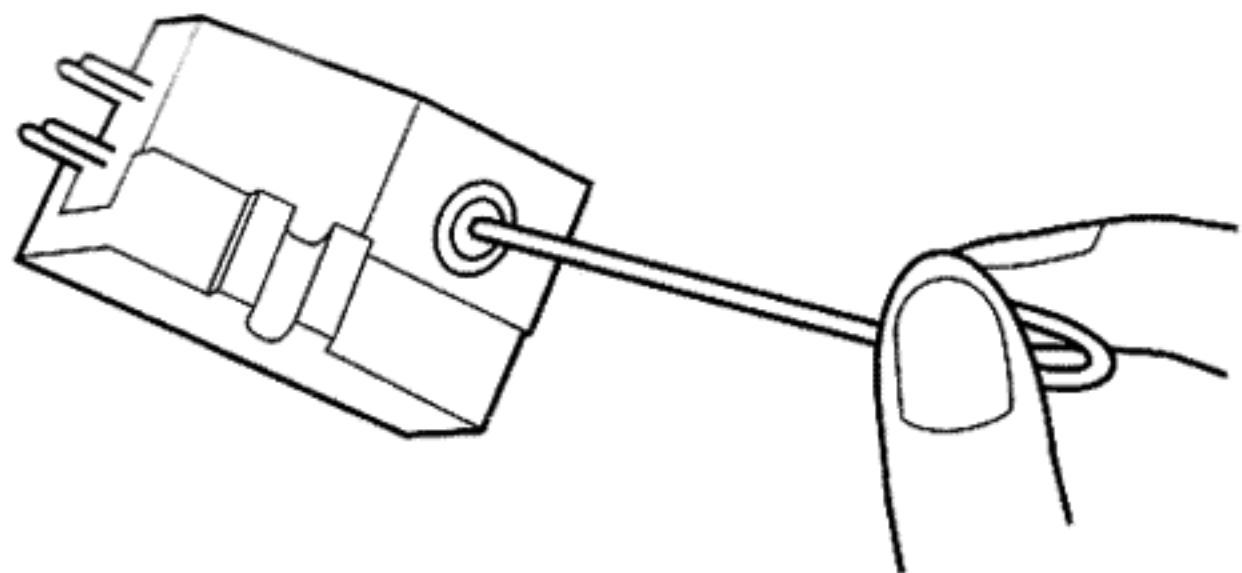
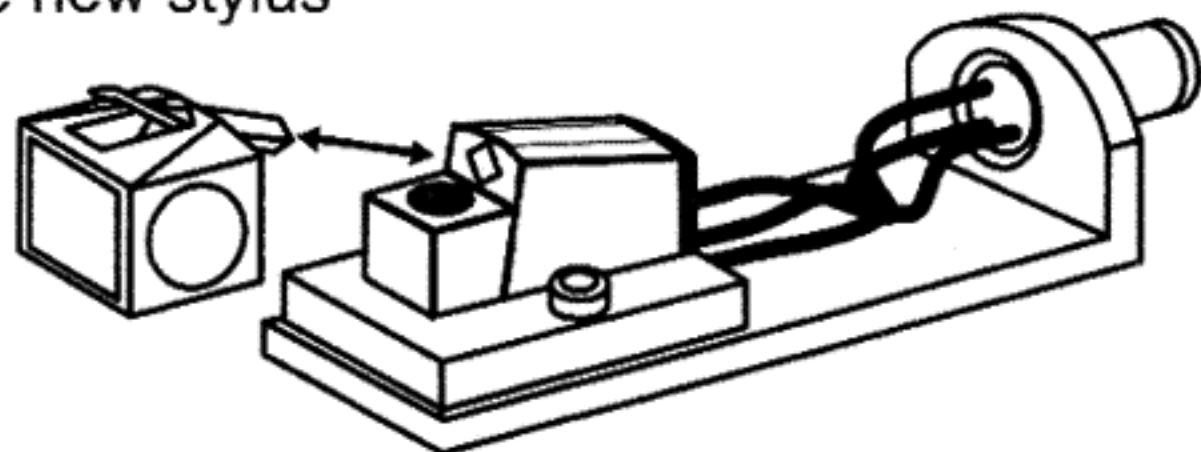


Adjust overhung properly, referring to the operation manual of the record player.



## ● How to replace the stylus

1. Turn off the amplifier and the record player.
2. Set the tone arm on the arm rest, and remove the head shell with the cartridge.
3. Slowly remove the stylus first and then install the new stylus



For MP-300/500, use the accessory hex wrench to replace the stylus. Fit the hex wrench on the screw on the side of the stylus knob as shown and turn it counterclockwise to remove the screw and the stylus. To install the new stylus reverse the removal procedure.

## ● Stylus pressure adjustment

Maintain the stylus pressure within the specified range in the specifications. The stylus pressure value is in ambient temperature 20°C. When the temperature is low, set the stylus pressure a little higher.

For detail about the stylus pressure adjustment, refer to the operation manual of the record player or the tone arm.

## ● Stylus replacement interval

The stylus replacement interval varies depending on the using conditions. But for general use at home, the reference time is 150-200 hours in which the stylus begins to wear and the tone quality deteriorates. Recommend replacing the stylus as early as possible to enjoy clear tone for a long time and not to damage the disc grooves.

For the replacement stylus, refer to the specifications.

For care of the disc and the stylus, refer to the HP: <http://www.nagaokatrd.co.jp/life>

<b>Specifications</b>	<b>MP-500H MP-500</b>	<b>MP-300H MP-300</b>	<b>MP-200H MP-200</b>
<b>Output voltage</b>	3 mV (5cm/sec)	3 mV (5cm/sec)	4 mV (5cm/sec)
<b>Frequency characteristic</b>	20–25,000 Hz	20–25,000 Hz	20–23,000 Hz
<b>Channel separation</b>	27 dB (1 KHz)	25 dB (1 KHz)	25 dB (1 KHz)
<b>Channel balance</b>	1.0 dB or less	1.0 dB or less	1.5 dB or less
<b>Load resistance</b>	47 K $\Omega$	47 K $\Omega$	47 K $\Omega$
<b>Canti-lever</b>	Boron	Boron	Boron
<b>Stylus tip</b>	Line contact, diamond	0.4 x 0.7mil elliptical, diamond	0.4 x 0.7mil elliptical, diamond
<b>Stylus pressure</b>	1.3–1.8 g	1.3–1.8 g	1.5–2.0 g
<b>Cartridge's weight</b>	8 g	8 g	6.5 g
<b>Head shell's weight</b>	13.5 g	13.5 g	9.5 g
<b>Replacement stylus</b>	JN-P500	JN-P300	JN-P200

	<b>MP-150H MP-150</b>	<b>MP-110H MP-110</b>	<b>MP-100H MP-100</b>
<b>Output voltage</b>	4.5 mV (5cm/sec)	5 mV (5cm/sec)	5 mV (5cm/sec)
<b>Frequency characteristic</b>	20–20,000 Hz	20–20,000 Hz	20–20,000 Hz
<b>Channel separation</b>	24 dB (1KHz)	23 dB (1 KHz)	22 dB (1 KHz)
<b>Channel balance</b>	1.5 dB or less	1.5 dB or less	2 dB or less
<b>Load resistance</b>	47 K $\Omega$	47 K $\Omega$	47 K $\Omega$
<b>Canti-lever</b>	Hardening taper aluminum alloy	Aluminum alloy	Aluminum alloy
<b>Stylus tip</b>	0.4 x 0.7mil elliptical, diamond	0.4 x 0.7mil elliptical, bonded diamond	0.6mil conical, bonded diamond
<b>Stylus pressure</b>	1.5–2.0 g	1.5–2.0 g	1.8–2.3 g
<b>Cartridge's weight</b>	6.5 g	6.5 g	6.5 g
<b>Head shell's weight</b>	9.5 g	9.5 g	9.5 g
<b>Replacement stylus</b>	JN-P150	JN-P110	JN-P100