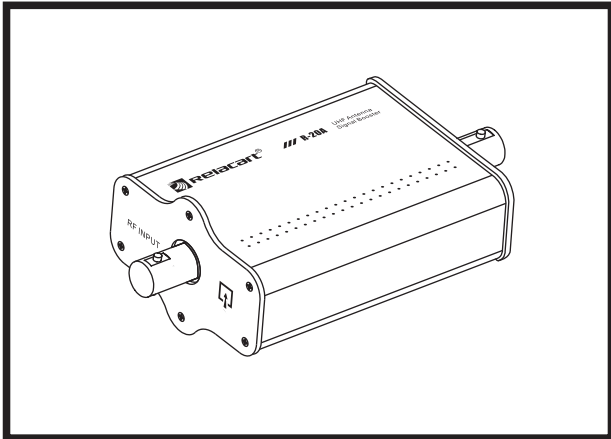


R-20A UHF Wide-band Antenna Booster



Technical Specifications

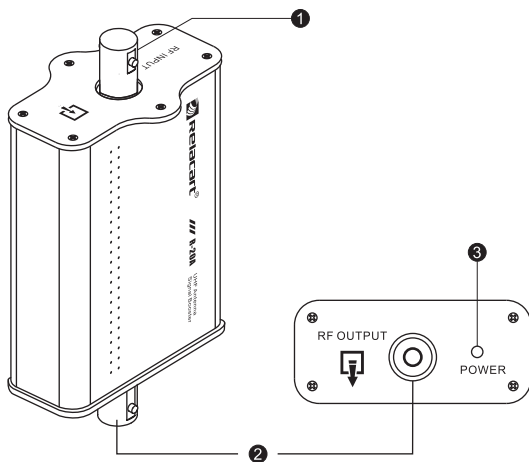
Frequency Range	500MHz~800MHz
Gain	15dB
Connector	BNC Female Connector
VSWR	Input: $\leq 3:1$; Output: $\leq 3:1$
Noise	3dB (typical)
Power Supply	DC 8V, 80mA
Operating Temperature	-20°C to +60°C
Dimensions	60mm X 42mm X 88mm
Weight	125g (excluding the bracket)
Packing	Black electroplating aluminum

R-20A provides increased gain for receiving antennas, maintains effective and reliable signals and reduces chance for signal dropouts under difficult RF conditions.

- Compact and lightweight for easy installation in small spaces: R-20A is integrated into a small size case and can be connect to connecting cables by series connection.

-the type of the connection cable and length: 50 Ohm low-loss coaxial cable

R-20A Functions



- ① The input connector of the antenna (BNC connector) and directly connect the BNC connector to R-20U antenna.
- ② Using high quality low loss coaxial cable to connect the output connector (BNC connector) of R-20A to the input of Relacart UHF receiver or R-14D Antenna Divider. And this connector also output power to the R-20A UHF Wide-band Directional Antenna.
- ③ When the Power Supply Light is on, it shows that R-20A is power on and working. If not, please check whether the receiver or the Antenna Divider is power on.

