

Saramonic

Sound.Remarkable. 音·

Professional Condenser Microphone 专业级电容麦克风

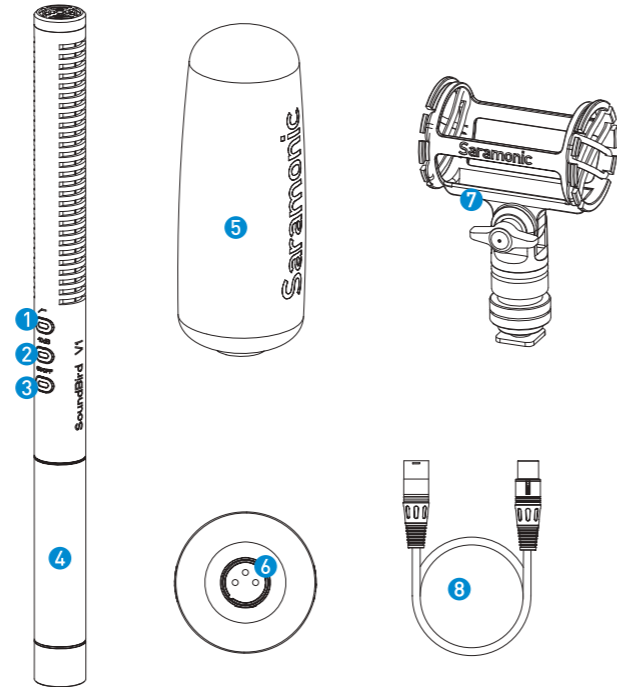
SoundBird V1

User Manual
用户手册

1 Introduction

The Saramonic SoundBird V1 is a professional supercardioid shotgun microphone that delivers clear, detailed audio with a full frequency response for interviews, ENG, filmmaking, field production and other applications. Equipped with a high-pass filter and -10dB Pad to tailor the sound to your needs. It's directional pickup, frequency response and sensitivity are specially designed to increase the intelligibility of dialogue.

2 Product Structure



- ① High-pass filter (200 Hz)
- ② -10dB Pad
- ③ Power button
- ④ Battery compartment
- ⑤ Foam windshield
- ⑥ XLR output
- ⑦ Shock mount
- ⑧ XLR male to female cable

3 Power Supply

The SoundBird V1 can be powered either via one AA battery or 48V phantom power supplied by your camera, recording device or mixer (such as the Saramonic SR-PAX1, SR-PAX2 or SR-AX107). When phantom power is applied, the AA battery is not used.

Power	by AA battery	by 48V Phantom Power	Low Power
Power Indicator	Blue	Green	Red

4 Installing Battery

① Unscrew the microphone by turning the base counterclockwise and slide the cover down to reveal the battery compartment. The cover does not detach from the microphone. Do not try to force it off.



② Insert the AA battery into place, aligning + and - polarity as shown.



③ Close the battery cover and turn the microphone base clockwise to tighten it.

5 Highlights

- **-10 dB Pad**
Attenuates the microphone input to allow the recording of loud sounds without clipping.
- **200Hz High-Pass Filter**
Rejects infrasonic rumble like HVAC system and other low-frequency noises to acquire dependable sound quality.
- **48V Phantom Power or AA Battery Supply Power**
It offers selectable power solutions via 48V phantom power or AA battery.
- **Solid Brass Construction**
Prevents radio-frequency (RF) interference for clean sound.
- **Gold-Plated XLR Connector**
Resists corrosion and ensures excellent signal transfer.

6 Specifications

Type	Condenser Microphone
Polar Pattern	Supercardioid
Frequency Range	50Hz to 20kHz
Sensitivity	-32±3dB (0dB=1V/Pa,at1KHz)
Signal-to-Noise Ratio	80 dB SPL
Maximum SPL	132 dB
High-Pass Filter	200Hz
Pad	-10dB
Power Requirements	48V phantom power
	1 AA battery
Operating Temperature Range	-5°C to 50°C
Power Consumption	35 mA



For better recording experience, the app-lication **SmartRecorder** is recommended.
为获得更好的录制体验，推荐使用枫笛 Saramonic 自主研发应用程序 **SmartRecorder**。



Please follow our WeChat account for more details.
扫描二维码关注枫笛Saramonic微信公众号。

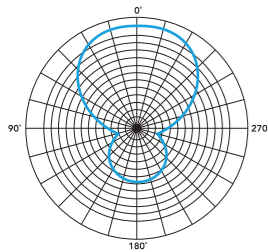
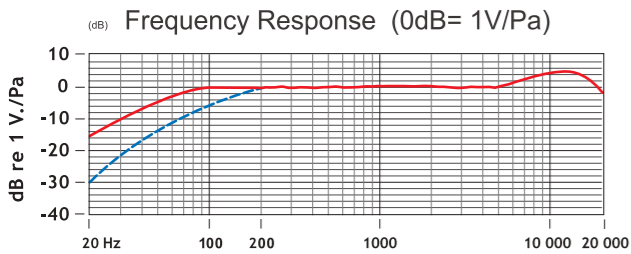
Shenzhen Jiayz Photo Industrial., Ltd
深圳市长丰影像器材有限公司
A16 Building, Intelligent Terminal Industrial Park of Silicon Valley
Power, Guanlan, Longhua District, Shenzhen, China
深圳市龙华区观澜街道大富工业区硅谷动力智能终端产业园 A16 栋

400-613-1096 www.saramonic.com info@saramonic.com

Output Connection	3-pin XLR, balanced output between Pin 2 (+), Pin 3 (-) and Pin 1 (ground)
Diameter	20 mm (0.78")
Length	272mm (10.7")
Weight	195g (6.88oz)

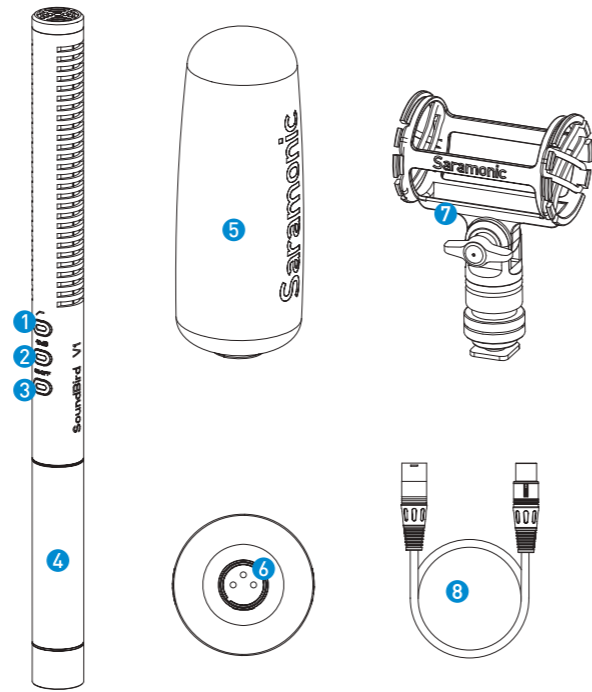
7 Packing List

- SoundBird V1 microphone
- XLR male to female cable
- Foam windscreen
- SR-SMC3 Shock Mount
- User manual
- Warranty card



Saramonic SoundBird V1是一款专业级超心形枪式麦克风，可为新闻采访，电影制作以及其他应用场景提供广播级音质，并具有高通滤波器和-10dB衰减功能。出色的超心形拾音模式，宽范围的频率响应以及较高的灵敏度，极大地满足了高品质音频收录的需求。

1 产品结构



- ① 低切过滤器
- ② -10dB衰减
- ③ 电源键
- ④ 电池仓

- ⑤ 防风棉
- ⑥ XLR卡侬口
- ⑦ 防震架
- ⑧ XLR公转母音频线

2 供电方式

SoundBird V1供电方式有两种：

- ① 一节AA五号电池供电
 - ② 48V幻像电源供电（由相机，录音设备，混音器如Saramonic SR-PAX1, SR-PAX2, SR-AX107等设备提供）
- 当用麦克风使用48V幻像电源供电时，AA五号电池不会工作耗电。

供电方式	AA五号电池	48V幻像电源	低电量
电源指示灯	蓝灯	绿灯	红灯

3 安装电池

- ① 逆时针拧松麦克风底座，打开电池仓。盖子不能从麦克风主体上拆离。



- ② 将AA电池按照图标中的正负极方向放置。



- ③ 顺时针拧紧麦克风底座，关闭电池盖。

4 产品特点

- -10db 信号衰减
衰减麦克风信号输入，还原自然的声音。
- 200Hz低切键
剪切低频噪音，如空调嗡嗡声和其他低频噪音，获取清晰稳定的音质。
- 48V幻像电源/AA电池供电
电源供电方式：①48V幻像电源；②一节AA五号电池
- 坚硬黄铜结构
防止外部(RF)信号干扰，传输稳定的声音。
- 镀金XLR接口
抗腐蚀接口，确保稳定的信号传输。

5 产品参数

类型	电容式麦克风
拾音模式	超心型
频率范围	50Hz-20kHz
灵敏度	-32 ± 3dB (0dB=1V/Pa,at1KHz)
信噪比	80dB SPL
最大声压级	132dB
低切过滤器	200Hz
衰减	-10dB
供电方式	48V幻象电源 AA电池
工作温度	-5℃-50℃
功耗	35毫安
输出接口	三芯XLR引脚2(+), 引脚3(-), 引脚1(接地)平衡输出
直径	20mm
长度	272mm
重量	195克

6 包装清单

- SoundBird V1麦克风
- XLR公转母头音频线
- 防风棉
- SR-SMC3防震架
- 用户手册
- 保修卡

