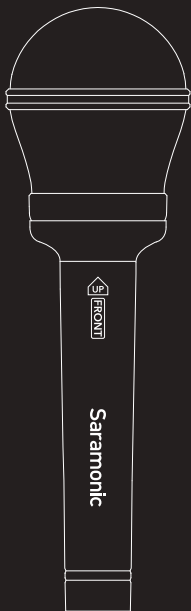


SR-VRMIC



HIGH-SENSITIVITY AND INTELLIGIBILITY AUDIO

POWERED BY **48V** PHANTOM POWER

DIN12M CONNECTOR (FOUR XLR CONNECTORS) FOR
IMMERSIVE **3D SOUND EXPERIENCE**

3D Microphone

DIN12M Connector (Four XLR Connectors)
for Immersive 3D Sound Experience

SR-VRMIC

This manual is for reference only. Please refer to the actual product for the specific functions and appearance of the product.

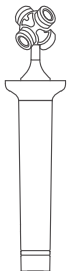
Please read it carefully before using this product and keep it in a safe place for future reference.

本手册仅供参考。产品具体功能及外观请以实物为准。使用本产品前请仔细阅读，并妥善保管，以备查阅。

Introduction

The SR-VIMIC is a 3D microphone designed for 360 degree spherical audio recording. Four-capsule design allows you to record the surrounding sound, providing immersive 3D sound and bringing a more realistic experience. The SR-VIMIC is suitable for VR video, game and content creators to capture 360 degree spherical sound, providing a perfect 3D audio solution.

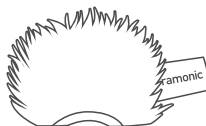
Package Lists



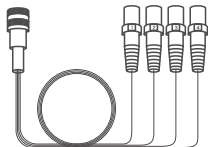
SR-VRMIC Microphone
Packing Lists*1



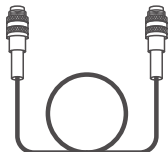
Metal Mesh
Windscreen*1



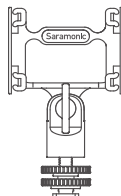
Fur Windscreen
*1



1m (3.3') Female
DIN12M to 4*Male
XLR Audio Cable*1

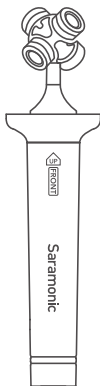


1.5m (4.9') DIN12M
Extension Cable*1

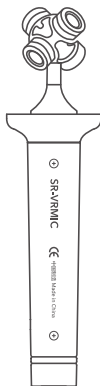


SR-SMC10 Shock
Mount*1

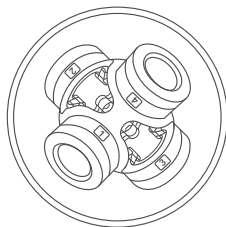
Microphone Overview



Front



Back

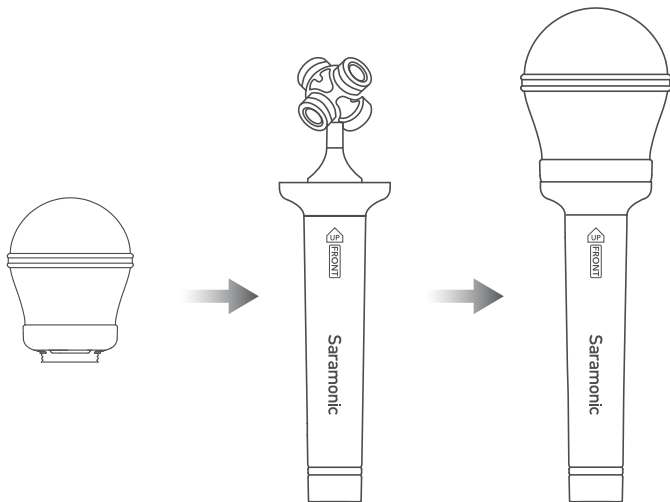


Top

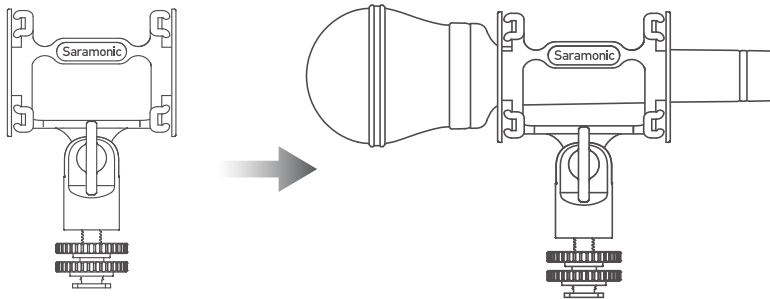
- Channel 1: Front Left Up (FLU)
- Channel 2: Front Right Down (FRD)
- Channel 3: Back Left Down (BLD)
- Channel 4: Back Right Up (BRU)

Operation Guide

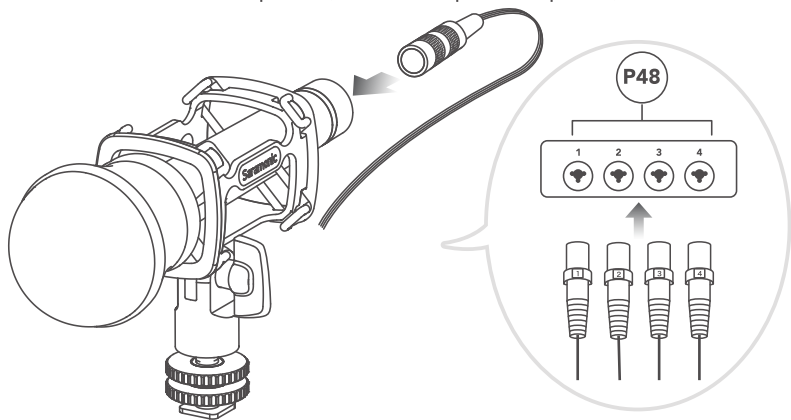
1. Install the microphone cover.



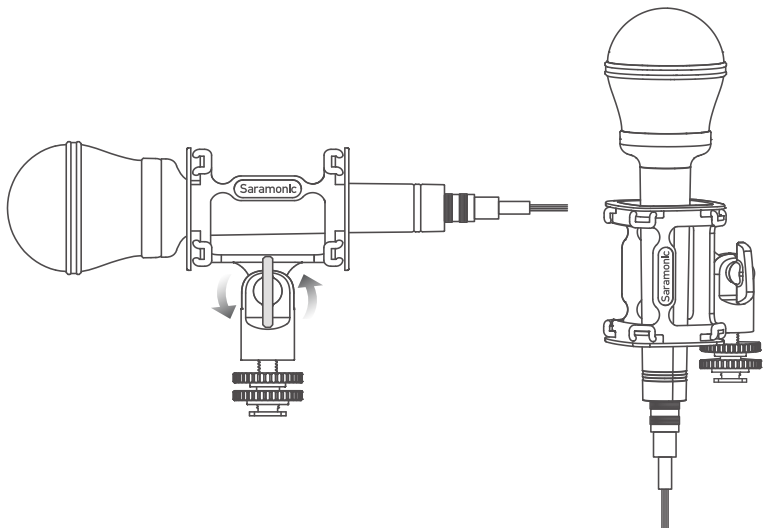
2. Mount microphone to shock mount.



3. Connect mixer and microphone (turn on 48V phantom power).



4. Adjust microphone pickup position.



Specifications

Acoustic Principle	Condenser
Polar Pattern	4×Cardioid
Frequency Response	20–20,000Hz
Sensitivity	-35±3dB (0dB=1 V/Pa @ 1kHz)
Output Impedance	100Ω
Signal-to-Noise Ratio	80dB
Max. SPL	127dB SPL, 1kHz at 1% T.H.D
Output Connector	DIN12M, balanced output between Pin 2 (+), Pin 3 (-) and Pin 1 (ground)
Power Requirement	4*(11-52) V Phantom power, 2.0mA each
Dimensions (Diameter & Length)	Φ26.5*106mm (1*4.2")
Weight Microphone	417.8 g (14.7 oz.)
Operating Temperature	-20 °C - 60 °C (-4°F-140°F)

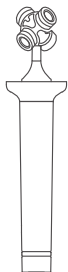
Features

- High-sensitivity and Intelligibility Audio
- Powered by 48V Phantom Power
- DIN12M Connector (Four XLR Connectors) for Immersive 3D Sound Experience

简介

SR-VRMIC是一款3D麦克风，专为360°全方位音频录制而设计。采用了四个话筒咪头，呈四面体形状排列，可以清晰地捕捉周围的声音，打造3D混响音质，为您带来沉浸式体验。SR-VRMIC为VR视频、VR眼镜的使用收集声音素材，便于内容创作者对声音进行后期制作及调整，提供了完美3D音频解决方案。

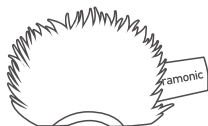
包装清单



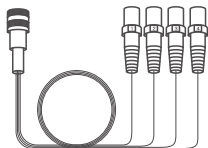
SR-VRMIC麦克风*1



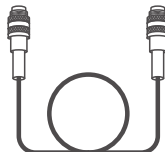
网罩*1



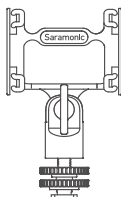
防风毛套 *1



1米SR-VRMIC一分四
卡侬转接线*1

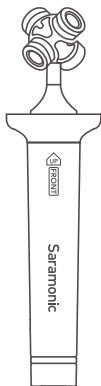


1.5米SR-VRMIC延长线
*1

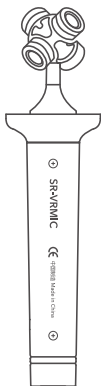


SR-SMC10防震支架
*1

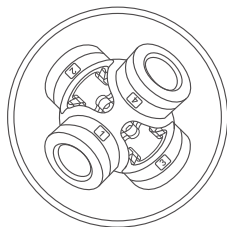
麦克风介绍



前面



背面

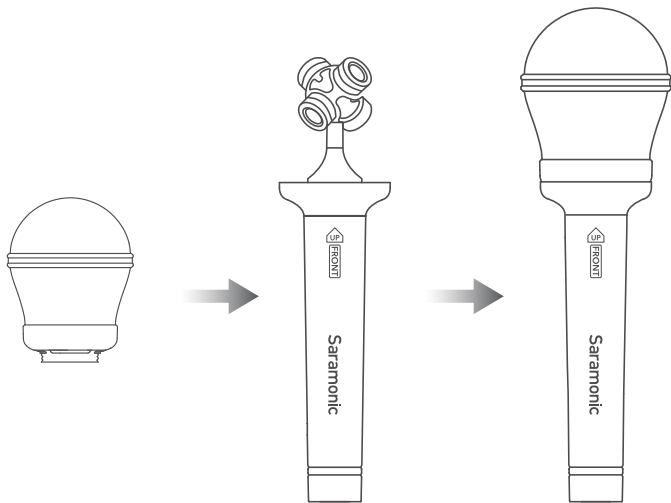


上面

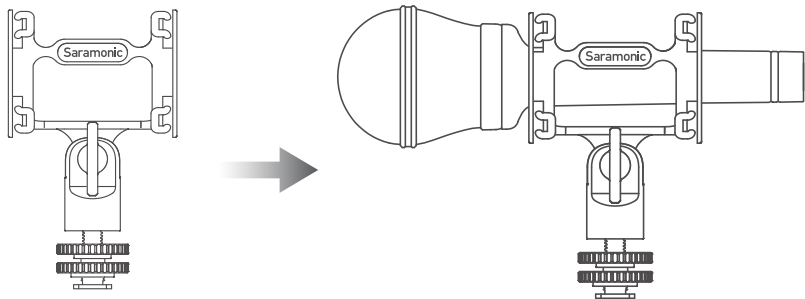
- 通道1: 左前上
- 通道2: 右前下
- 通道3: 左后下
- 通道4: 右后下

快速安装指南

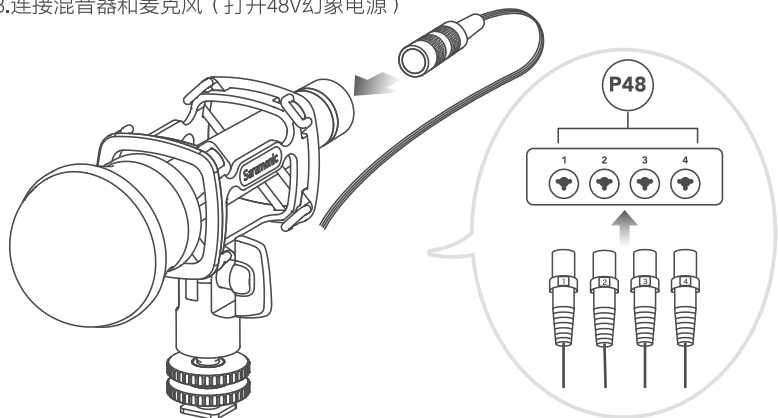
1. 安装麦克风网罩



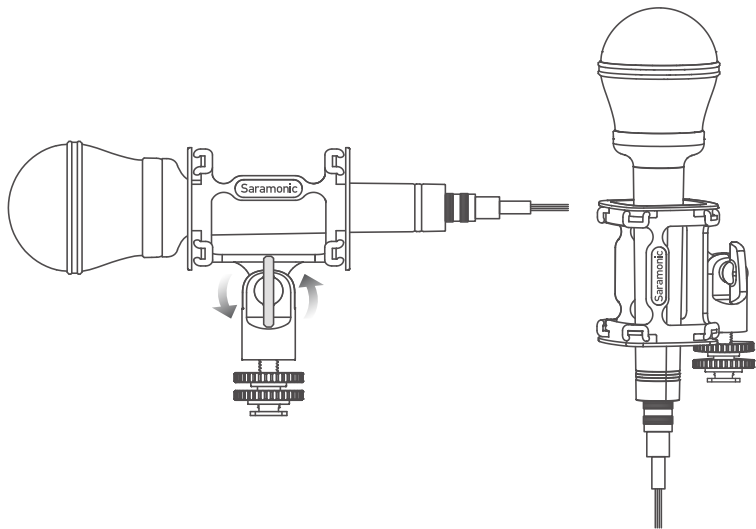
2. 麦克风安装至防震架



3. 连接混音器和麦克风（打开48V幻象电源）



4.调整麦克风拾音位置



参数

声学原理	电容
拾音模式	4 × 心形拾音
频率响应	20 – 20,000 Hz
灵敏度	-35 ± 3 dB (0 dB=1 V/Pa @ 1k Hz)
输出阻抗	100 Ω
信噪比	80 dB
最大输入声压级	127 dB SPL, 1k Hz at 1% T.H.D
输出接口	DIN12M
电源	4*(11-52) V幻象电源, 各2.0 mA
尺寸(直径*长度)	Φ26.5*106 mm
麦克风重量	417.8 g
操作温度	-20 °C - 60 °C

产品特点

- 高灵敏度、清晰度的音质
- 供电方式：48V幻象电源
- 沉浸式音频体验录音环节的话筒，可以清晰捕捉到前后左右全方向的声音



For better recording experience, the application **SmartRecorder** is recommended.

为获得更好的录制体验，推荐使用枫笛 Saramonic 自主研发应用软件 **SmartRecorder**。

Shenzhen Jiayz Photo Industrial., Ltd
深圳市长丰影像器材有限公司

A16 Building, Intelligent Terminal Industrial Park of Silicon Valley
Power, Guanlan, Longhua District, Shenzhen, China
深圳市龙华区观澜街道大富工业区硅谷动力智能终端产业园A16栋



Scan the QR code and follow us!
扫描微信关注枫笛公众号!