



# MKH 800 TWIN

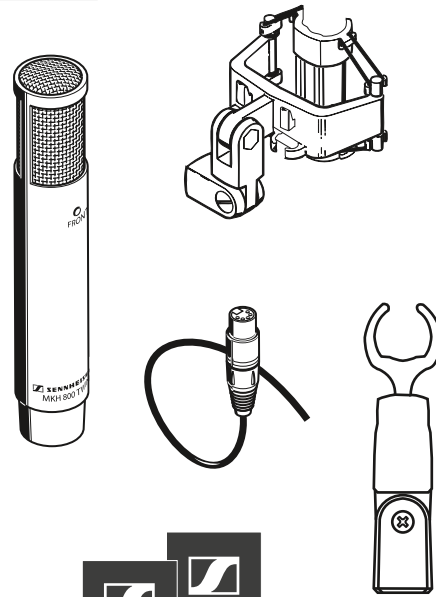
Quick Guide  
 Kurzanleitung  
 Guide de démarrage rapide  
 Guida rapida  
 Instrucciones resumidas  
 Instruções resumidas  
 Beknopte gebruiksaanwijzing  
 Krótka instrukcja obsługi  
 Snabbguide

Kort vejledning  
 Pikaohje  
 Γρήγορος οδηγός  
 Kisa Kilavuz  
 Краткая инструкция  
 快速指南  
 快速使用指南  
 クイックガイド  
 퀵 가이드

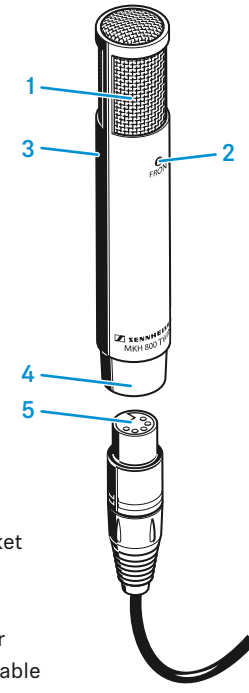


**SENNHEISER**

## In the box

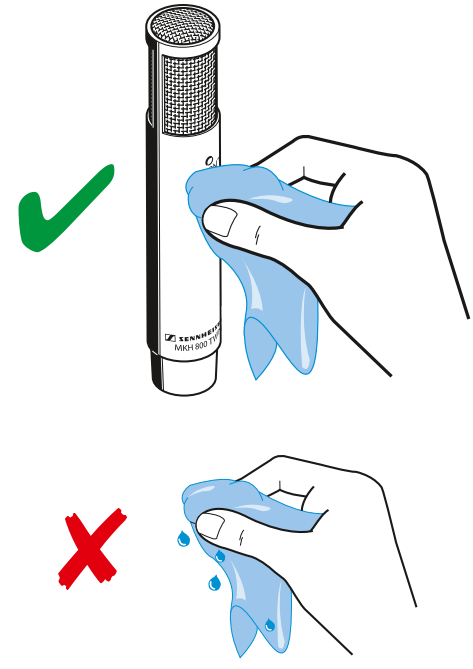


## Overview

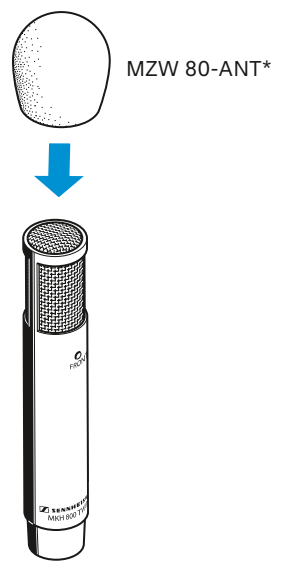
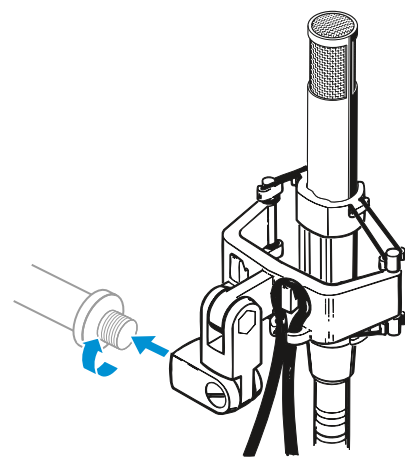
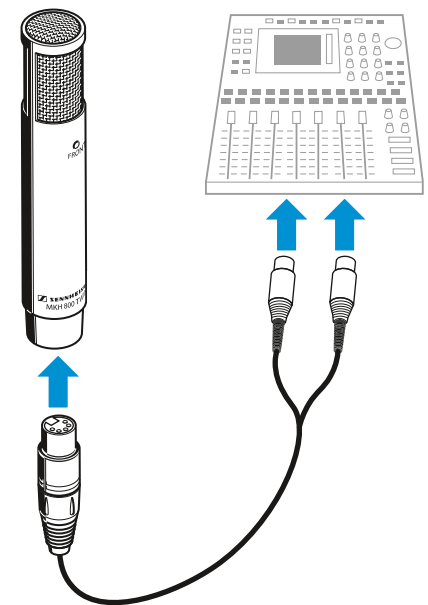


- 1 Sound inlet basket
- 2 LED Front (blue)
- 3 LED Rear (red)
- 4 XLR-5 connector
- 5 AC 20 adaptor cable

## Cleaning



## Setup



Sennheiser electronic GmbH & Co. KG

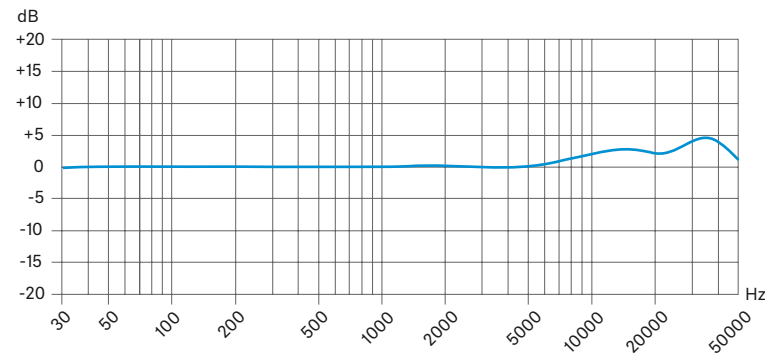
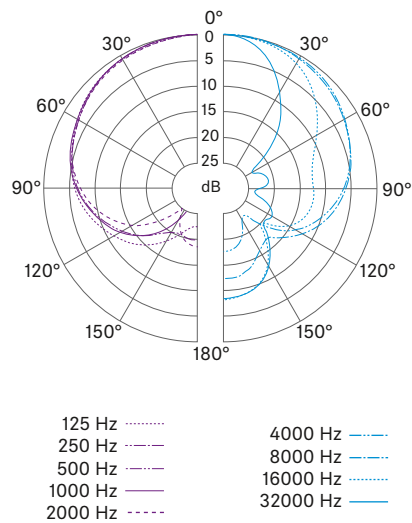
Am Labor 1, 30900 Wedemark, Germany  
www.sennheiser.com

Printed in Germany, Publ. 10/20, 583948/A02

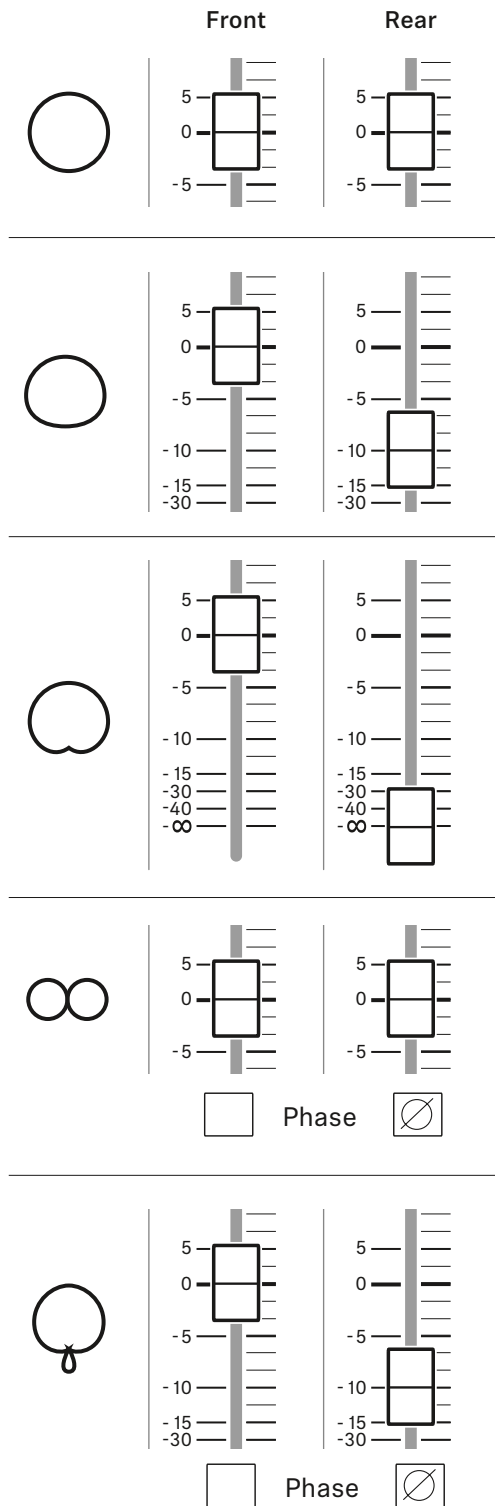
\*optional accessory

## Polar pattern and frequency response

The polar diagrams of both channels only differ in the opposite alignment 0°/180°.



## Remote adjustment of the pick-up patterns

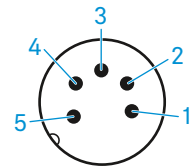


## Specifications

Pick-up pattern	2x cardioid
Frequency response	30 – 50,000 Hz
Sensitivity in free field, no load (1kHz)	40 mV/Pa ± 1 dB
Max. SPL	136 dB / 1 kHz
Nominal impedance	100 Ω
Max. output voltage	4 V
Min. terminating impedance	2 kΩ
Equivalent noise level	12 dB(A) (DIN IEC 651) 20 dB (CCIR 468-3)
Noise voltage	3 μV (A-weighted) 8 μV (CCIR-weighted)
Dynamic range	122 dB (A-weighted) 114 dB (CCIR-weighted)
Phantom powering	48 V ± 4 V
Current consumption	2x 3.1 mA
Dimension	∅ 27 x 136 mm
Weight	172 g
Temperature range	storage: -20 °C – +70 °C

Connector XLR-5M

Connector assignment



- 1: Ground/housing
- 2: Front channel: (+)
- 3: Front channel: (-)
- 4: Rear channel: (+)
- 5: Rear channel: (-)