

#### GENERAL CHARACTERISTICS

Nominal Overall Diameter .....	320	mm
Nominal Voice Coil Diameter .....	50	mm
Magnet Weight .....	270	g
Flux Density.....	1.42	T
Weight.....	2.83	Kg

#### THIELE-SMALL PARAMETERS

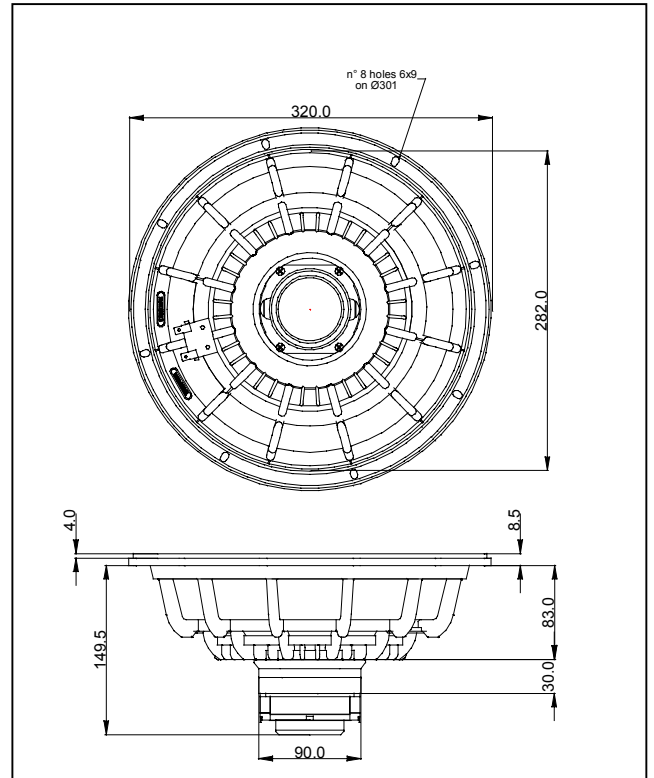
Voice Coil DC Resistance .....	$R_E$	6.19	Ω
Resonance Frequency .....	$f_s$	50.1	Hz
Mechanical Q Factor.....	$Q_{MS}$	6.28	
Electrical Q Factor.....	$Q_{ES}$	0.31	
Total Q Factor .....	$Q_{TS}$	0.30	
Mechanical Moving Mass .....	$M_{MS}$	38.2	g
Mechanical Compliance .....	$C_{MS}$	260	μm/N
Force Factor .....	$B \times l$	15.47	Wb/m
Equivalent Acoustic Volume.....	$V_{AS}$	105.2	lt.
Maximum Linear Displacement ....	$X_{MAX}$	+/-3.0	mm
Reference Efficiency .....	$\eta_0$	4.09	%
Diaphragm Area .....	$S_D$	530.9	cm <sup>2</sup>
Losses Electrical Resistance.....	$R_{ES}$	124.8	Ω
Voice Coil Inductance @ 1kHz .....	$L_E$	0.76	mH

#### CONSTRUCTIVE CHARACTERISTICS

Magnet.....	Neodymium
Voice Coil Winding.....	Copper
Voice Coil Former.....	Kapton
Cone .....	Paper
Surround.....	Treated Cloth
Dust Dome .....	Nylon
Basket .....	Aluminium Die-Cast

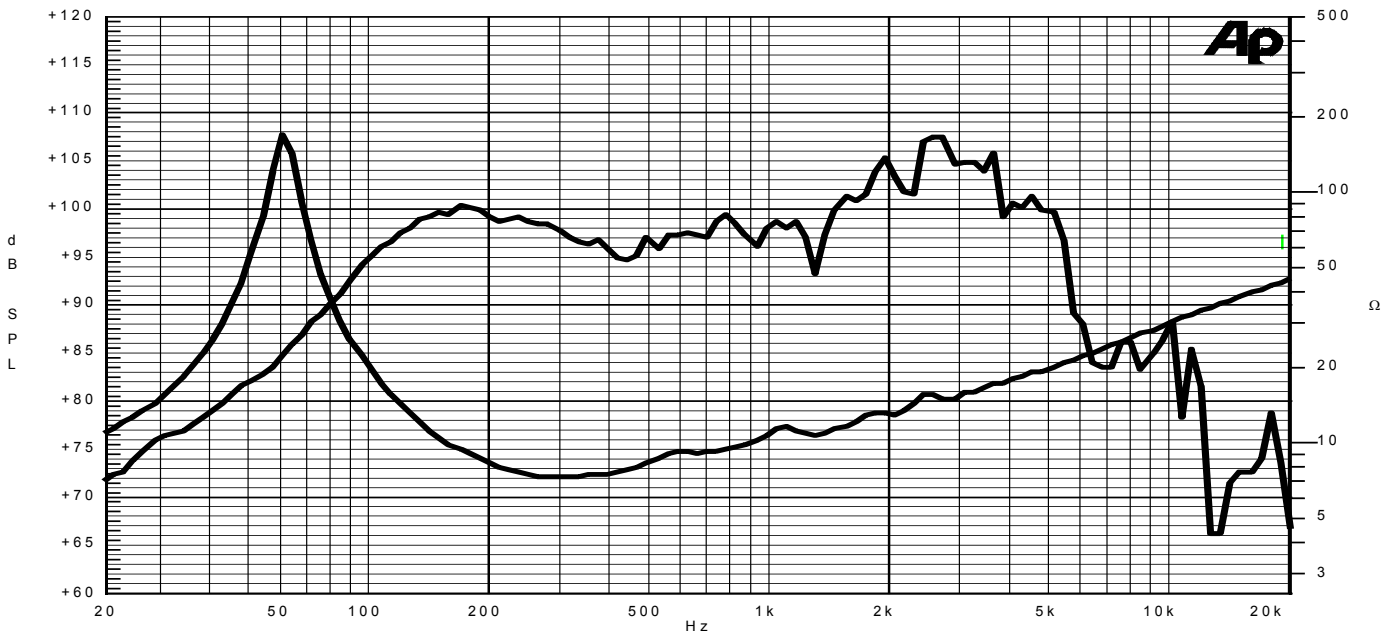
#### ELECTRICAL CHARACTERISTICS

Nominal Impedance.....	8	Ω
Musical Power .....	300	W
Rated Power* .....	150	W
Sensitivity @ 1 W, 1 m .....	99.4	dB



\*rated power measured with 2 hours test with pink noise signal, 6 dB crest factor, loudspeaker mounted on enclosure  
 Thiele-Small parameters measured with LASER system

Frequency Response on IEC Baffle (DIN 45575) @ 1 W, 1 m - Impedance



#### GENERAL CHARACTERISTICS

Nominal Overall Diameter .....	78	mm
Nominal Voice Coil Diameter .....	25	mm
Magnet Weight .....	92	g
Flux Density.....	1.92	T
Weight.....	0.41	Kg

#### THIELE-SMALL PARAMETERS

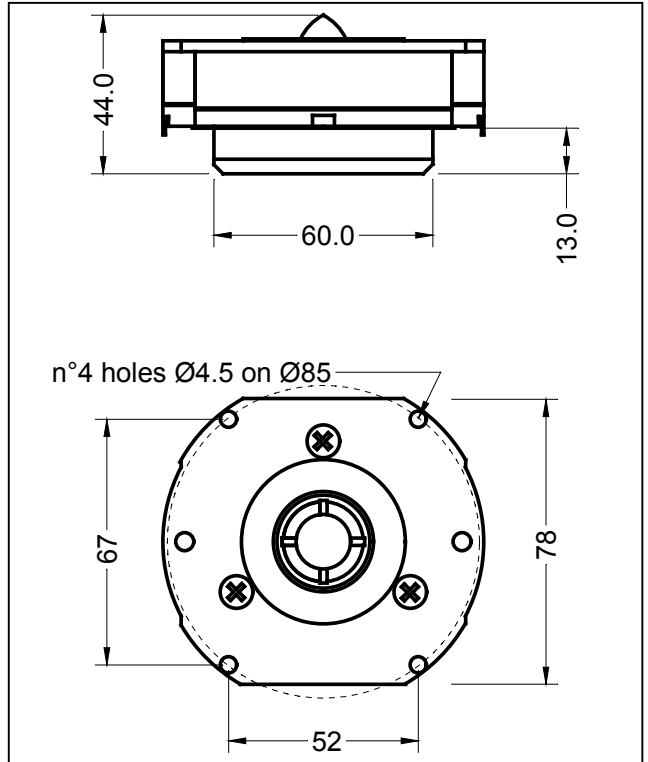
Voice Coil DC Resistance .....	$R_E$	5.30	Ω
Resonance Frequency .....	$f_s$	1500	Hz

#### CONSTRUCTIVE CHARACTERISTICS

Magnet.....	Neodymium
Voice Coil Winding.....	Aluminium Flat Wire
Voice Coil Former.....	Kapton
Voice Coil Winding Height.....	2.1 mm
Diaphragm .....	Tri-acetate Film
Air Gap Height.....	2 mm
Ferrofluid in Air Gap .....	No
Throat Diameter .....	25 mm
Horn.....	- - -

#### ELECTRICAL CHARACTERISTICS

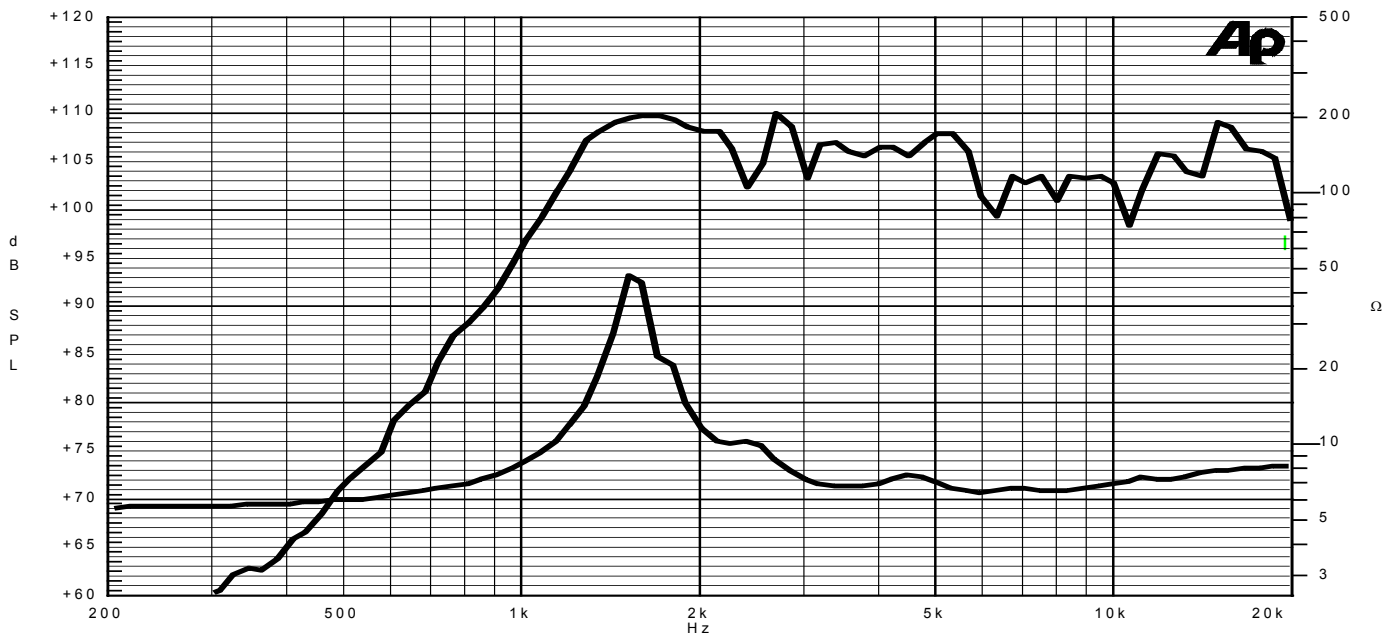
Nominal Impedance.....	8	Ω
Musical Power .....	40	W
Rated Power* .....	20	W
Sensitivity @ 1 W, 1 m .....	105.0	dB



#### NOTES

\*rated power measured with 2 hours test with continuous pink noise signal, 6 dB crest factor, HP filter 3kHz-12dB/Oct

Free Air Frequency Response (driver mounted as coaxial unit) @ 1 W, 1 m - Impedance (without horn)



Due to continuing product improvement, the features and the design are subject to change without notice.

27/02/07