

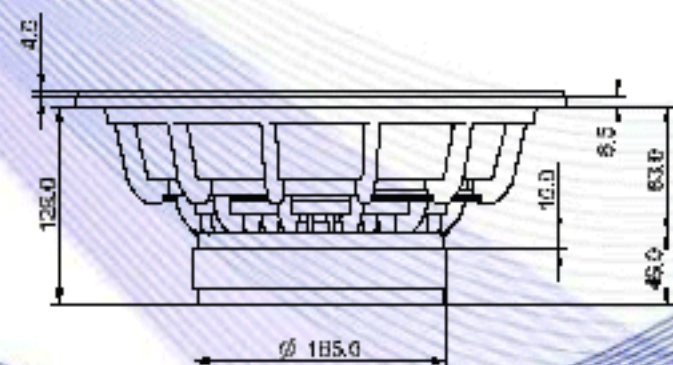
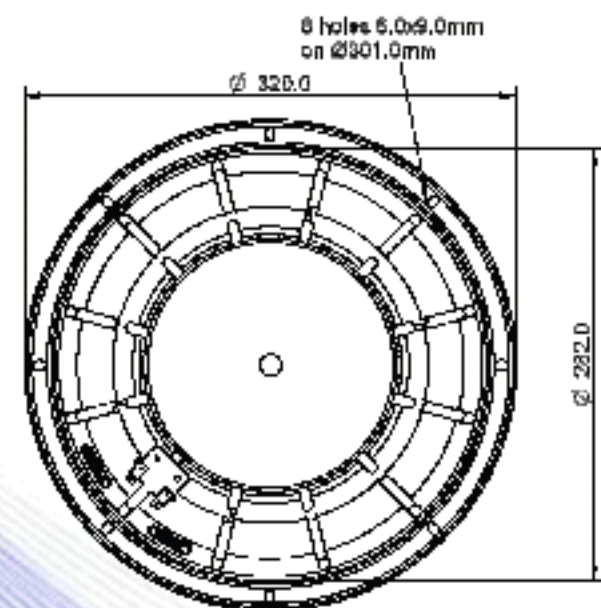
- 3" sandwich voice coil fiberglass former.
- Progressive wave Konex spider.
- Cloth surround with DAR technology
- Waterproof cone treatment.
- BMF ferrite magnet.
- Ventilated magnet and voice coil to reduce power compression.
- 96.6 dB sensitivity.



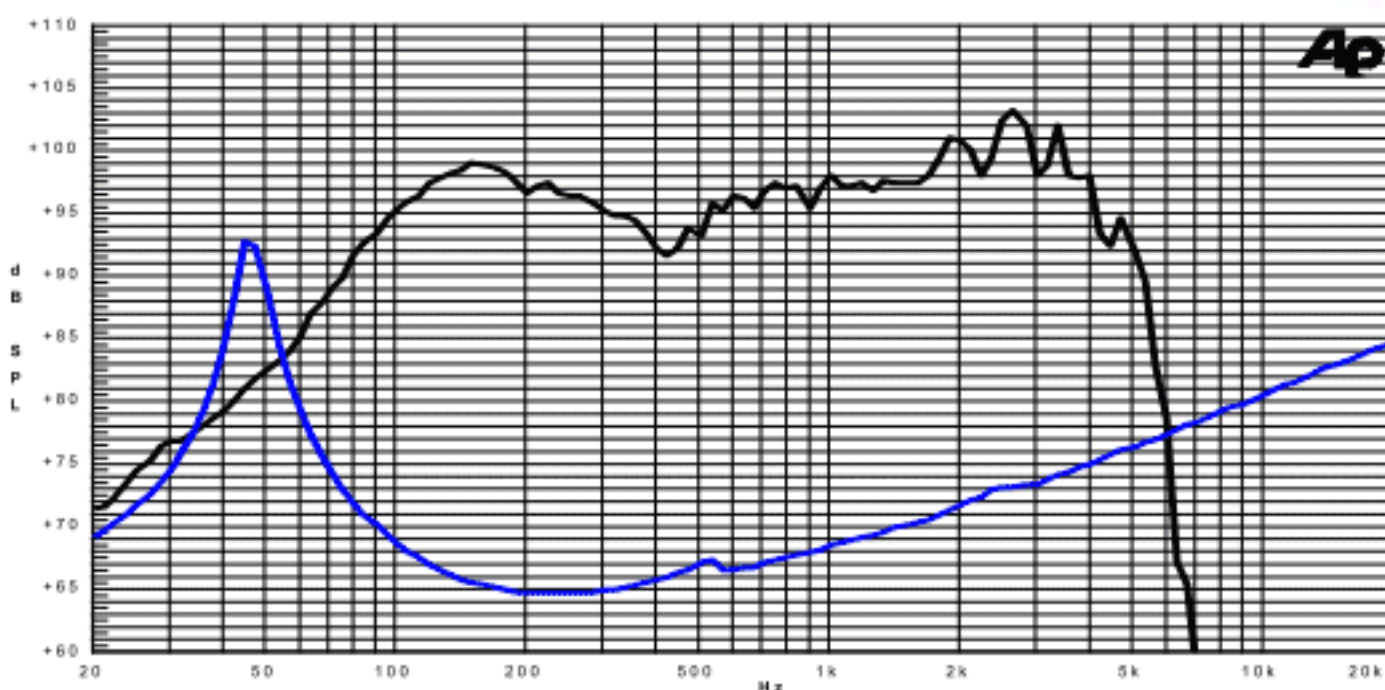
Specifications	
Nominal Diameter	320mm (12")
Nominal Impedance	4Ω
Rated Power AES ⁽¹⁾	350W
Continuous Program Power ⁽²⁾	700W
Sensitivity @ 1W/1m ⁽³⁾	96.6dB
Voice Coil Diameter	75mm (3")
Voice Coil Winding Depth	18mm
Magnetic Gap Depth	10mm
Flux Density	1.06T
Magnet Weight	2035g
Net Weight	7.1kg

Thiele & Small Parameters ⁽⁴⁾			
Re	3.25Ω	Fs	47.0Hz
Qms	9.28	Qes	0.35
Qts	0.33	Mms	59.2g
Cms	194 μm/N	Bxl	12.78 Tm
Vas	77.4l	Sd	530.9cm ²
X max ⁽⁵⁾	+/-5.0mm	X var ⁽⁶⁾	+/-8.5mm
η ₀	1.22%	Le (1kHz)	0.52mH

Costructive Characteristics	
Magnet	: Ferrite
Basket Material	: Aluminium Die-Cast
Voice Coil Winding Material	: Aluminium
Voice Coil Former Material	: Fiberglass
Cone Material	: Paper
Cone Treatment	: Surface Waterproof Treatment
Surround Material	: Treated Cloth
Dust Dome Material	: Solid Paper



Frequency Response on IEC Baffle (DIN 45575) @ 1W,1m – Free Air Impedance



- Note:
- 1 : Rated Power measured with 2 hours test with pink noise signal, 6dB crest factor, loudspeaker mounted on enclosure
 - 2: Power on Continuous Program is defined as 3 dB greater than the Rated Power
 - 3: Calculated by Thiele & Small parameters
 - 4: Thiele & Small parameters measured with laser system without preconditioning test
 - 5: Measured with respect to a THD of 10% using a parameter-based method
 - 6: Value corresponding to a decay of the Force Factor, or Compliance, or both, equal to the 50% of the small signal value.
 - 7: Drawing dimensions: mm
 - 8: The notch around 400Hz on the frequency response is typical of the measurement on IEC baffle