

#### GENERAL CHARACTERISTICS

Nominal Overall Diameter .....	385	mm
Nominal Voice Coil Diameter .....	65	mm
Magnet Weight .....	1450	g
Flux Density.....	1.15	T
Weight.....	5.44	Kg

#### THIELE-SMALL PARAMETERS

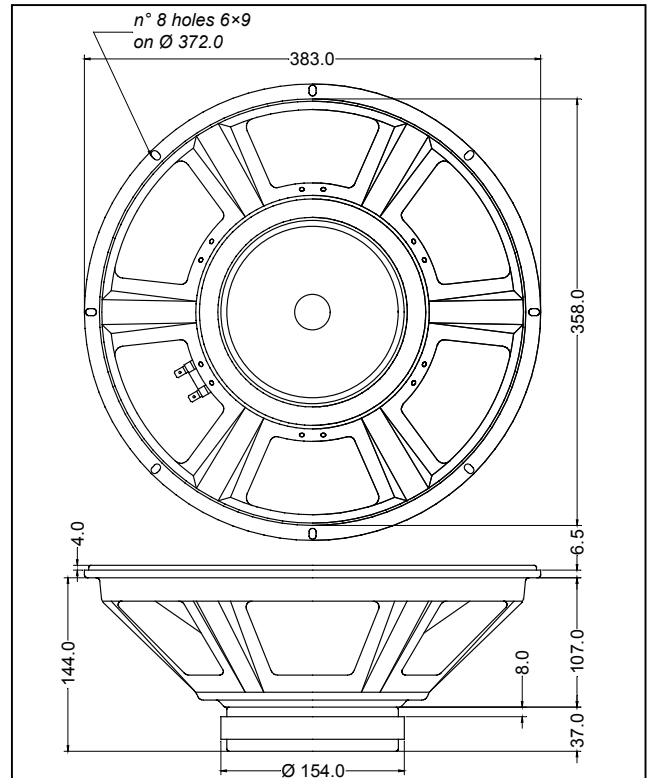
Voice Coil DC Resistance .....	$R_E$	6.77	Ω
Resonance Frequency .....	$f_s$	46.4	Hz
Mechanical Q Factor.....	$Q_{MS}$	3.24	
Electrical Q Factor.....	$Q_{ES}$	0.59	
Total Q Factor .....	$Q_{TS}$	0.50	
Mechanical Moving Mass .....	$M_{MS}$	56.1	g
Mechanical Compliance .....	$C_{MS}$	210	μm/N
Force Factor .....	$B \times l$	13.65	Wb/m
Equivalent Acoustic Volume.....	$V_{AS}$	167.9	lt.
Maximum Linear Displacement ....	$X_{MAX}$	+/-2.5	mm
Reference Efficiency .....	$\eta_0$	2.71	%
Diaphragm Area .....	$S_D$	754.7	cm <sup>2</sup>
Losses Electrical Resistance.....	$R_{ES}$	36.8	Ω
Voice Coil Inductance @ 1kHz .....	$L_E$	1.08	mH

#### CONSTRUCTIVE CHARACTERISTICS

Magnet.....	Ferrite
Voice Coil Winding.....	Copper
Voice Coil Former.....	Aluminium
Cone .....	Paper
Surround.....	Treated Cloth
Dust Dome .....	Solid Paper
Basket .....	Pressed Sheet Steel

#### ELECTRICAL CHARACTERISTICS

Nominal Impedance.....	8	Ω
Musical Power .....	500	W
Rated Power* .....	250	W
Sensitivity @ 1 W, 1 m .....	97.1	dB



\*rated power measured with 2 hours test with pink noise signal, 6 dB crest factor, loudspeaker mounted on enclosure

Frequency Response on IEC Baffle (DIN 45575) @ 1 W, 1 m - Impedance

