

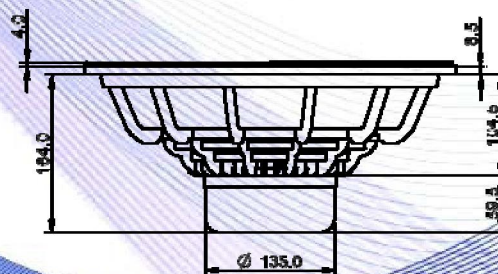
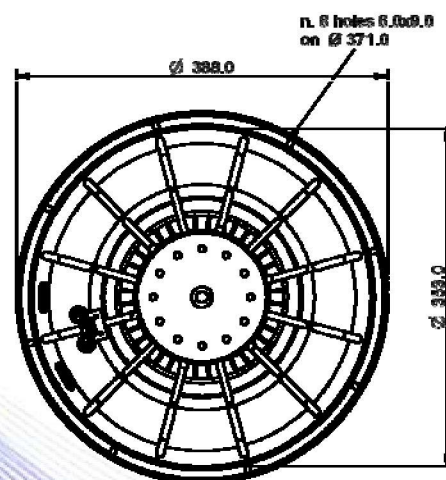
- 4" sandwich voice coil fiberglass former
- Progressive wave Konex spider with DCS technology
- Cloth surround with DAR technology
- Autoclave waterproof cone treatment
- Neodymium magnet circuit
- Ventilated magnet circuit to reduce power compression
- 96.8 dB sensitivity



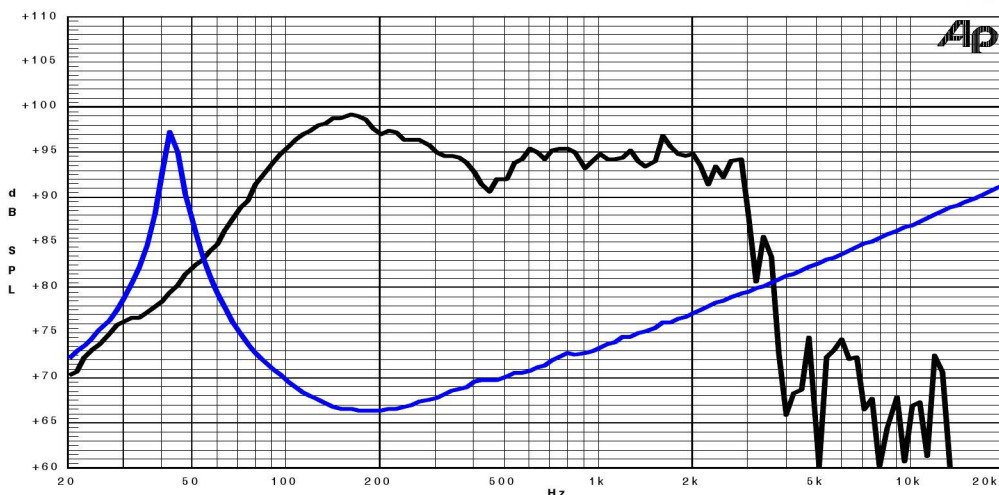
Specifications	
Nominal Diameter	388mm (15")
Nominal Impedance	4Ω
Rated Power AES ⁽¹⁾	1000W
Continuous Program Power ⁽²⁾	2000W
Sensitivity @ 1W/1m ⁽³⁾	96.8dB
Voice Coil Diameter	100mm (4")
Voice Coil Winding Depth	25mm
Magnetic Gap Depth	12mm
Flux Density	1.21T
Magnet Weight	536g
Net Weight	7.0kg

Thiele & Small Parameters ⁽⁴⁾			
Re	3.58Ω	Fs	42.5Hz
Qms	16.51	Qes	0.30
Qts	0.30	Mms	139.9g
Cms	98µm/N	Bxl	21.27Tm
Vas	101.7l	Sd	855.3cm ²
X max ⁽⁵⁾	+/-6.5mm	X var ⁽⁶⁾	+/-9.1mm
η ₀	2.60%	Le (1kHz)	1.09mH

Constructive Characteristics	
Magnet	: Neodymium
Basket Material	: Aluminium Die-Cast
Voice Coil Winding Material	: Copper
Voice Coil Former Material	: Fiberglass
Cone Material	: Paper
Cone Treatment	: Humidity Resistant Pulp
Surround Material	: Treated Cloth
Dust Dome Material	: Solid Paper



Frequency Response on IEC Baffle (DIN 45575) @ 1W,1m – Free Air Impedance



- Note:
- 1 : Rated Power measured with 2 hours test with pink noise signal, 6dB crest factor, loudspeaker mounted on enclosure
 - 2: Power on Continuous Program is defined as 3 dB greater than the Rated Power
 - 3: Calculated by Thiele & Small parameters
 - 4: Thiele & Small parameters measured with laser system without preconditioning test
 - 5: Measured with respect to a THD of 10% using a parameter-based method
 - 6: Value corresponding to a decay of the Force Factor, or Compliance, or both, equal to the 50% of the small signal value.
 - 7: Drawing dimensions: mm
 - 8: The notch around 400Hz on the frequency response is typical of the measurement on IEC baffle