

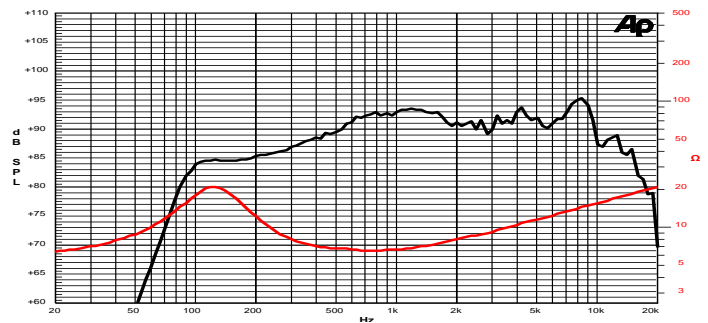
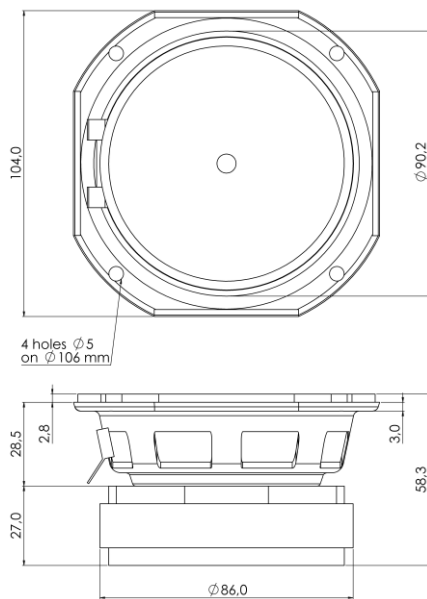
**4 E 1 CS 8Ω**

**4" | 140 W**

**Code Z001800**

Professional

- 1" voice coil Aluminium former and Aluminium Winding
- **WpT** Waterproof Cone Treatment
- Ferrite Magnet Circuit
- 90.0 dB sensitivity
- Frequency Range 120-10000 Hz



Frequency Response on 5.5 Lt @ 110 Hz Vented Box @ 1W, 1m  
Free Air Impedance

### General Specifications

Nominal Diameter	104 mm (4")	
Nominal Impedance	8 Ω	
Rated Power AES <sup>(1)</sup>	70 W	
Continuous Program Power <sup>(2)</sup>	140 W	
Sensitivity @ 1W/1m <sup>(3)</sup>	90.0 dB	
Voice Coil Diameter	25 mm (1")	
Voice Coil Winding Depth	9 mm	
Magnetic Gap Depth	6 mm	
Flux Density	1.10 T	
Magnet Weight	380 g	
Net Weight	1.0 kg	

### Thiele & Small Parameters<sup>(4)</sup>

$R_e$	5.60 Ω	$F_s$	118.0 Hz
$Q_{ms}$	1.85	$Q_{es}$	0.49
$Q_{ts}$	0.39	$M_{ms}$	3.9 g
$C_{ms}$	466 μm/N	$B_{xl}$	5.76 Tm
$V_{as}$	1.3 l	$S_d$	44.2 cm <sup>2</sup>
$X_{max}^{(5)}$	+/-2.2 mm	$X_{var}^{(6)}$	+/-3.5 mm
$\eta_0$	0.42 %	$L_e$ (1kHz)	0.14 mH

### Constructive Characteristics

Magnet	Ferrite
Basket Material	Pressed Sheet Steel
Voice Coil Winding Material	Aluminium
Voice Coil Former Material	Aluminium
Cone Material	Paper
Cone Treatment	Surface Waterproof Treatment
Surround Material	Treated Cloth
Dust Dome Material	Polypropylene Ogive

### Mounting Information

Overall Dimensions	104x104 mm
Baffle Cutout Diameter	90 mm
Mounting Holes	4 holes ø5 on ø106 mm
Total Depth	58.3 mm

(1) Rated Power measured with 2-hour test with pink noise signal, 6dB crest factor, loudspeaker in free air, power calculated on rated Zmin. (2) Power on Continuous Program is defined as 3dB greater than the Rated Power. (3) Calculated by Thiele & Small parameters, for SPL average in box refer to frequency response. (4) Thiele & Small parameters measured with laser system after preconditioning test. (5) Measured with respect to a THD of 10%. (6) Value corresponding to a decay of the Force Factor, or Compliance, or both, equal to the 50% of the small signal value. (7) Drawing dimensions: mm.