

1.5" - 60W Compression Driver

CD 60.38/N92 TW 16 Ω

Code Z009485

GENERAL CHARACTERISTICS

Nominal Overall Diameter	60	mm
Nominal Voice Coil Diameter	38	mm
Throat Diameter	25.4/1	mm/in
Magnet Weight	92	g
Flux Density.....	1.85	T
Weight	0.41	Kg
Voice Coil DC Resistance	R_E	12.00 Ω
Resonance Frequency	f_s	1100 Hz

CONSTRUCTIVE CHARACTERISTICS

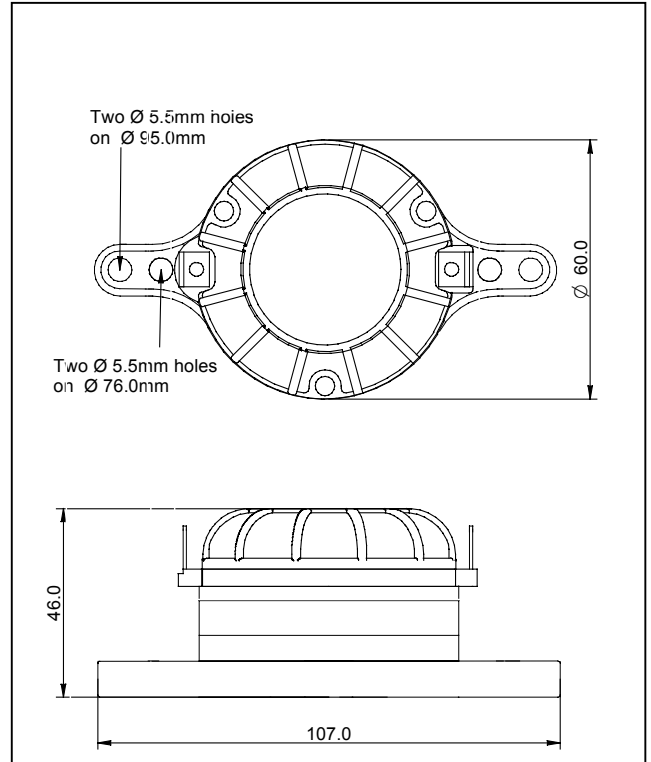
Magnet.....	Neodymium
Voice Coil Winding Material.....	Aluminium Flat Wire
Voice Coil Former Material.....	Kapton
Voice Coil Winding Height.....	2.5mm
Diaphragm Material.....	PEI
Air Gap Height.....	2.5mm
Ferrofluid in the Air Gap	No
Horn.....	- - -
Electrical Connection	2 x 6.3mm x 0.8mm

NOTES

Aluminium structure for excellent thermal dissipation

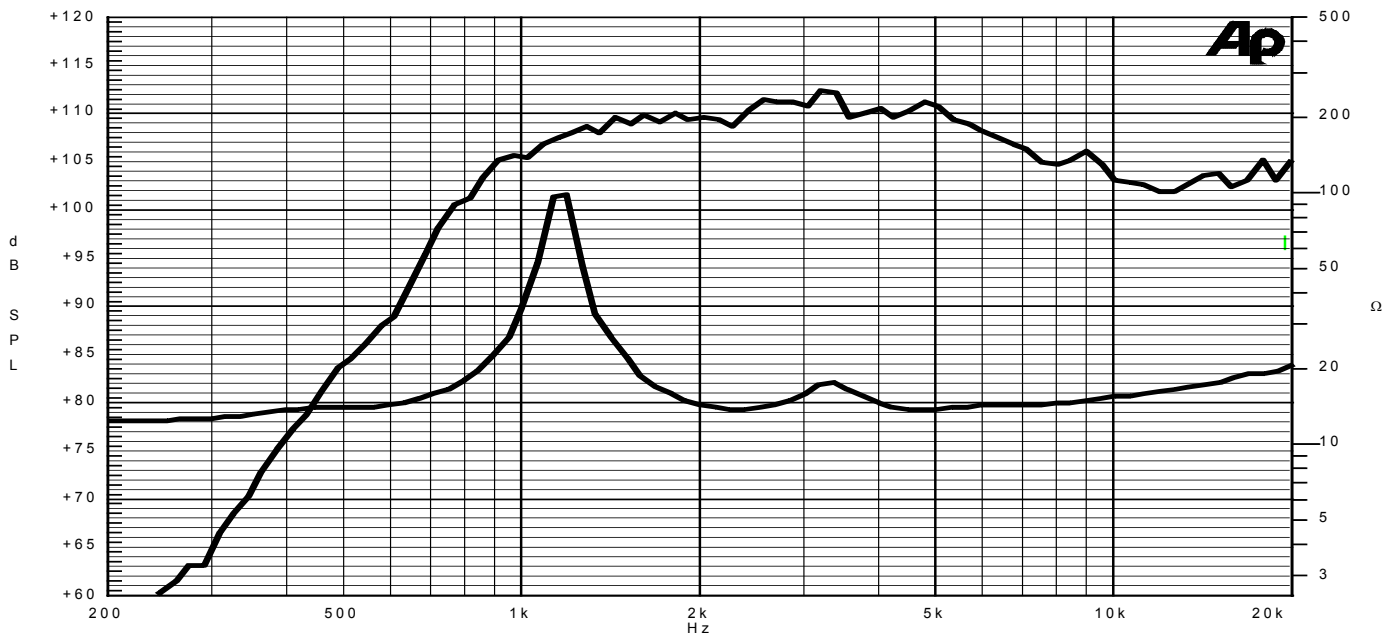
ELECTRICAL CHARACTERISTICS

Nominal Impedance.....	8	Ω
Musical Power	60	W
Rated Power*	30	W
Sensitivity @ 1 W, 1 m	107.6	dB



*rated power measured with 2 hours test with continuous pink noise signal, 6 dB crest factor, HP filter 2kHz-12dB/Oct

Free Air Frequency Response with 6x11 inches horn @ 1 W, 1 m - Impedance (without horn)



Due to continuing product improvement, the features and the design are subject to change without notice.

26/01/11