

## 1.5" - 60W Compression Driver

CD 60.38/N92 TW 8 Ω

Code Z009484

### GENERAL CHARACTERISTICS

Nominal Overall Diameter .....	60	mm
Nominal Voice Coil Diameter .....	38	mm
Throat Diameter .....	25.4/1	mm/in
Magnet Weight .....	92	g
Flux Density.....	1.85	T
Weight .....	0.42	Kg
Voice Coil DC Resistance .....	$R_E$	6.00 Ω
Resonance Frequency .....	$f_s$	1100 Hz

### CONSTRUCTIVE CHARACTERISTICS

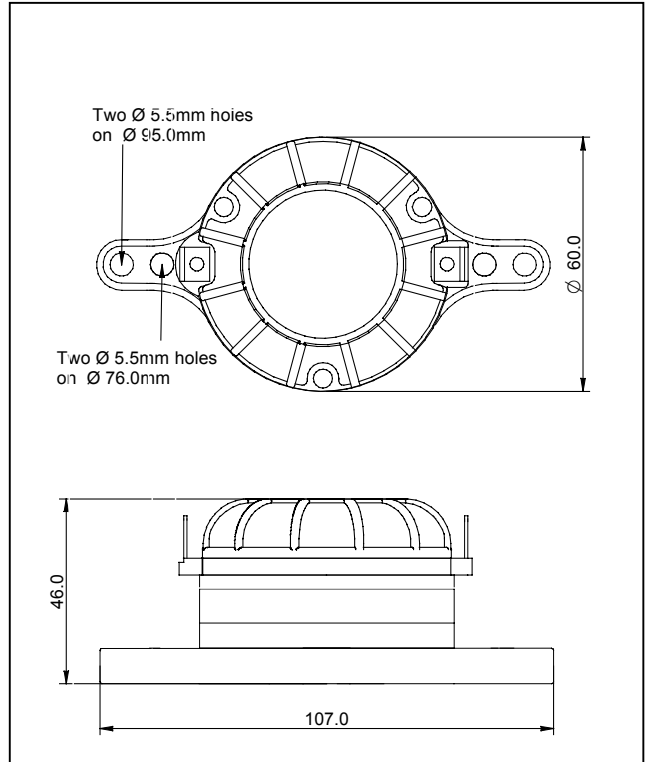
Magnet.....	Neodymium
Voice Coil Winding Material.....	Aluminium Flat Wire
Voice Coil Former Material.....	Kapton
Voice Coil Winding Height.....	2.5mm
Diaphragm Material.....	PEI
Air Gap Height.....	2.5mm
Ferrofluid in the Air Gap .....	No
Horn.....	- - -
Electrical Connection .....	2 x 0.63mm x 0.8mm

### NOTES

Aluminium structure for excellent thermal dissipation

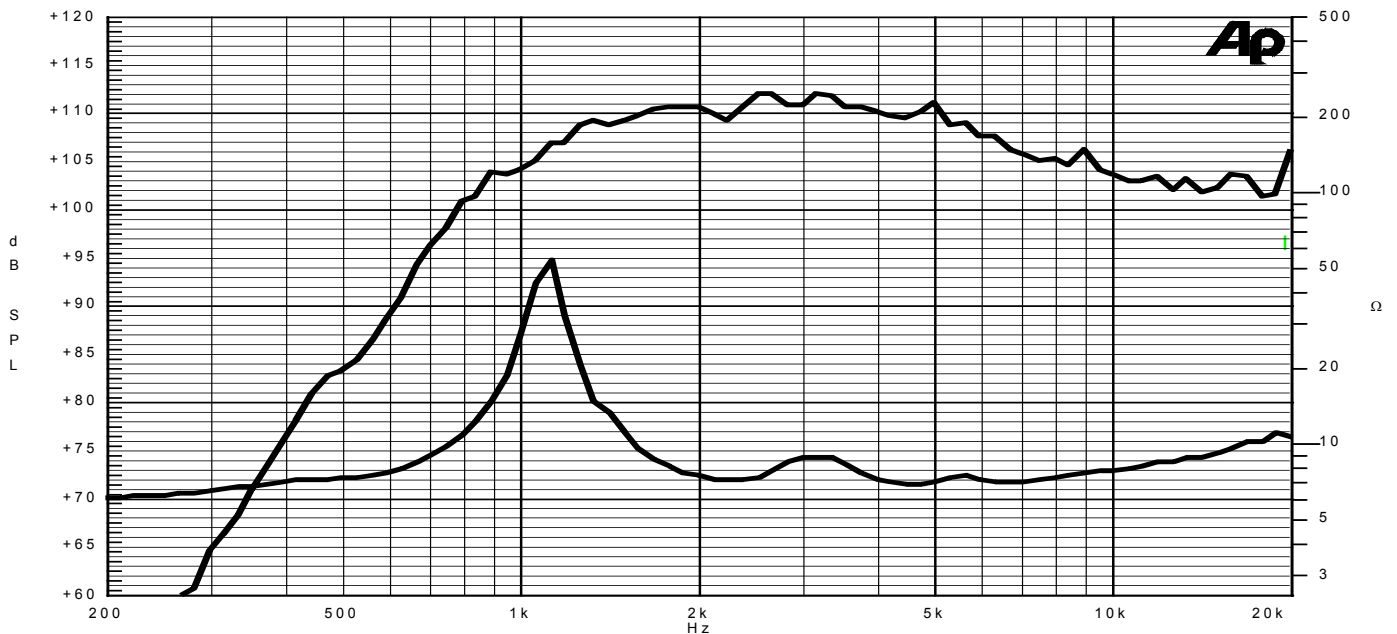
### ELECTRICAL CHARACTERISTICS

Nominal Impedance.....	8	Ω
Musical Power .....	60	W
Rated Power* .....	30	W
Sensitivity @ 1 W, 1 m .....	107.9	dB



\*rated power measured with 2 hours test with continuous pink noise signal, 6 dB crest factor, HP filter 2kHz-12dB/Oct

Free Air Frequency Response with 6x11 inches horn @ 1 W, 1 m - Impedance (without horn)



Due to continuing product improvement, the features and the design are subject to change without notice.

20/12/09