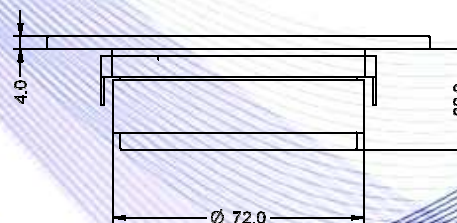
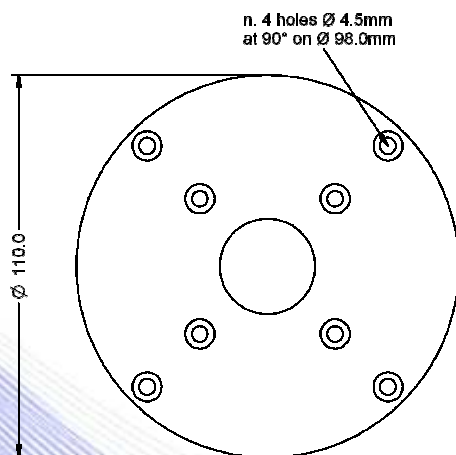


- 1" voice coil Aluminium former.
- Treated silk dome.
- 95.1 dB sensitivity.

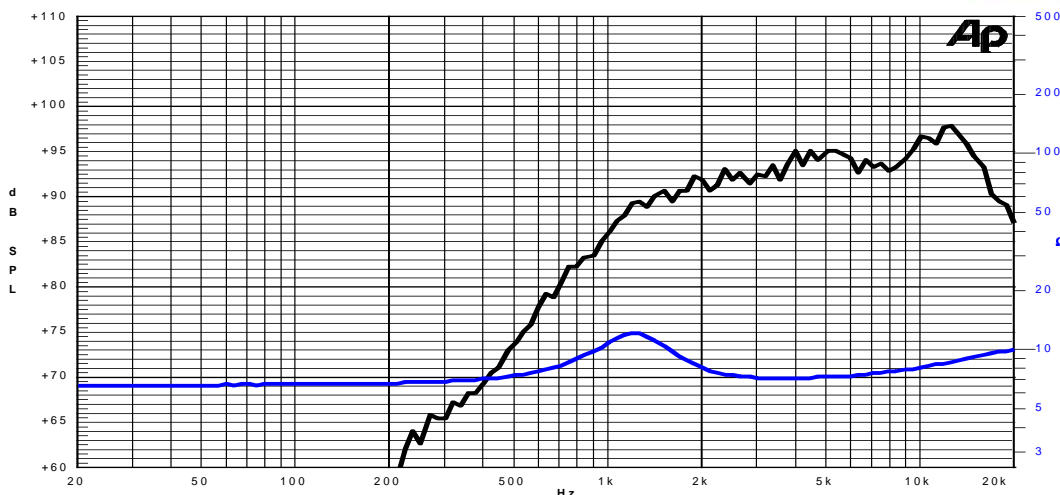


| Specifications | |
|--|-------------|
| Nominal Diameter | 110mm |
| Nominal Impedance | 8Ω |
| Rated Power AES ⁽¹⁾ (3000 - 20000 Hz) | 25W |
| Continuous Program Power ⁽²⁾ | 50W |
| Rated Noise Power (IEC 60268-5) ⁽³⁾ | 120W |
| Sensitivity @ 1W/1m ⁽⁴⁾ | 95.1 dB |
| Voice Coil Diameter | 25.0mm (1") |
| Voice Coil Winding Depth | 1.7 mm |
| Magnetic Gap Depth | 2.0mm |
| Flux Density | 1.70T |
| DC Resistance | 6.00Ω |
| Resonance Frequency | 1200Hz |
| Magnet Weight | 245g |
| Net Weight | 0.60kg |
| Recommended Crossover Frequency | 2.5kHz |

| Constructive Characteristics | |
|------------------------------|----------------|
| Magnet | : Ferrite |
| Voice Coil Winding Material | : Copper |
| Voice Coil Former Material | : Aluminium |
| Diaphragm | : Treated Silk |
| Ferrofluid in Air Gap | : Yes |
| Flange | : ABS |
| Spare Part Code | : Z009402 |



Frequency Response on IEC Baffle (DIN 45575) @ 1W,1m – Free Air Impedance



- Note:
- 1 : Rated Power measured with 2 hours test with pink noise signal, 6dB crest factor, loudspeaker mounted on enclosure
 - 2: Power on Continuous Program is defined as 3 dB greater than the Rated Power
 - 3: Rated Noise Power measured with 100 hours test pink noise, 6dB crest factor IFC60268-5 filtering
 - 4: Measured at 1W,1m in axis within the frequency range
 - 5: Drawing dimensions: mm