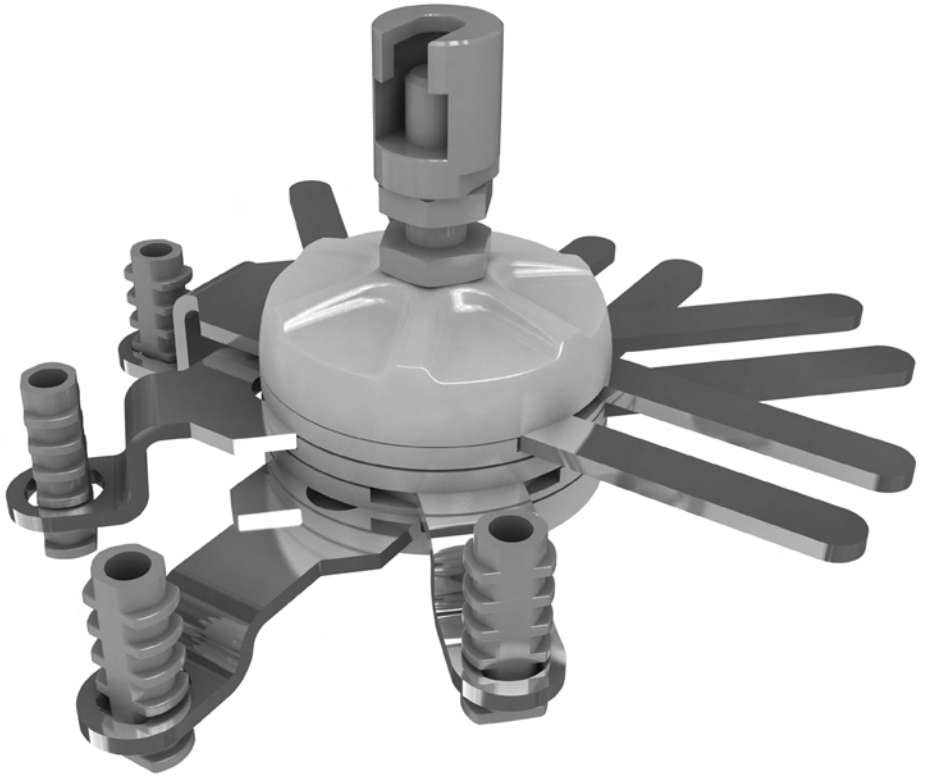
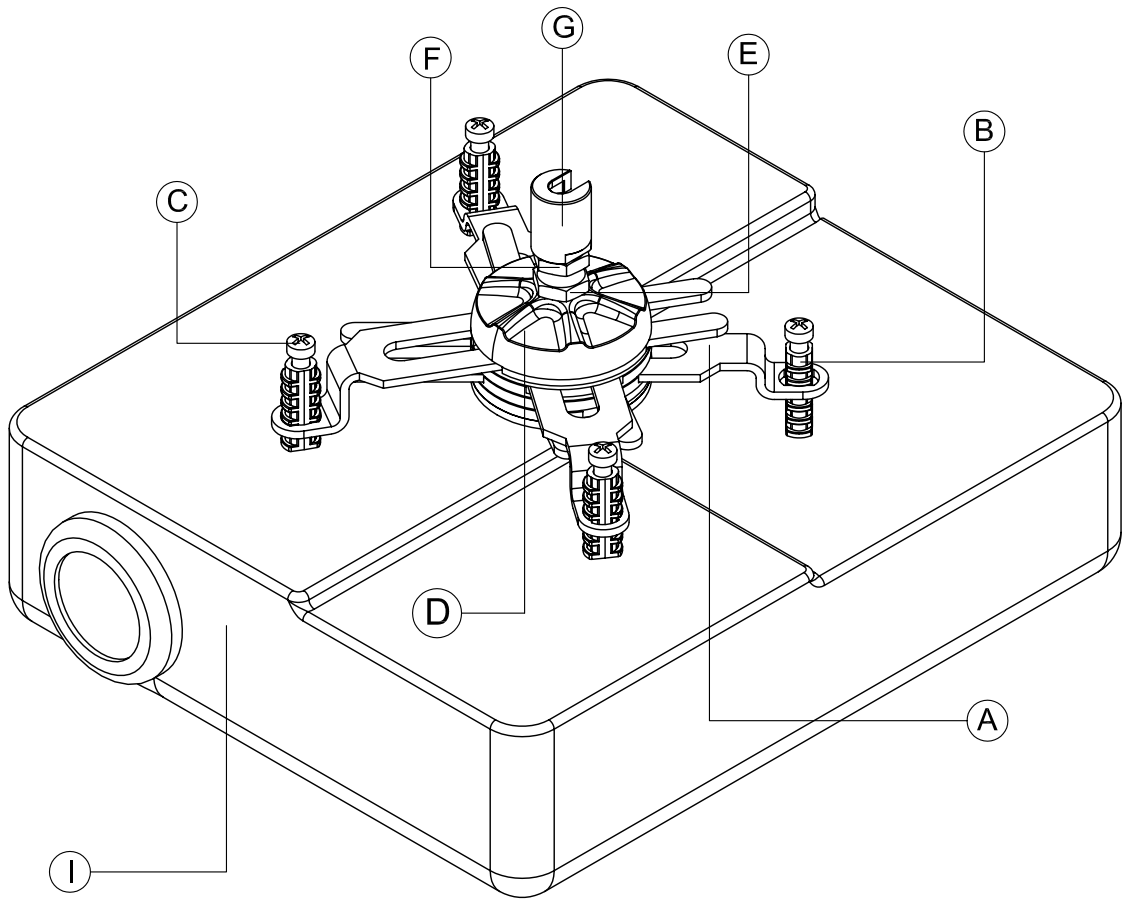


SMS PROJECTOR UNISLIDE





Contents

A.	Unislide arms	4+4
Parts of SMS Projector Unislide		
B.	Distance Pipes	4
C.	Screws/ Washers	1set
D.	Handle	1
E.	Lower locking nut	1

F.	Upper locking nut	1
G.	Nut	1
H.	Key	1
I.	Projector (Not included)	
C.G	Center Of Gravity	

