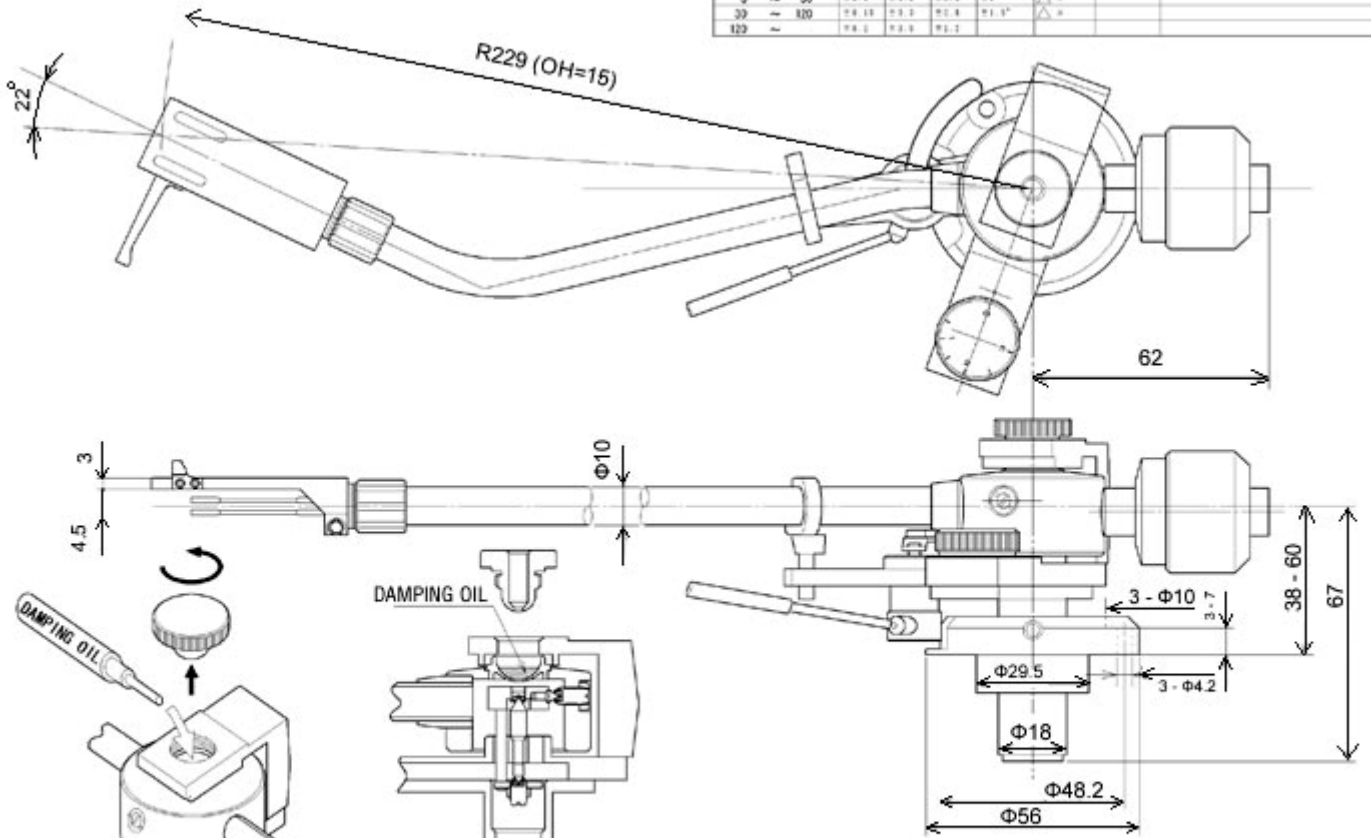


TOLERANCE	F	M	H	ANGLE	SYMBOL	DATE	REVISION
0.5 ~ 0	0.1 0.1	0.1 1	0.1 1	01.3"	△		
0 ~ 30	0.1 1	0.1 2	0.1 3	01.3"	△		
30 ~ 120	0.1 1	0.1 3	0.1 4	01.3"	△		
120 ~	0.1 1	0.1 3	0.1 2				



Infuse this damping oil (silicon oil) into the cup
(see the diagram)

Suitable volume of the oil in a cup is a half level
(see the diagram)

No.	QTY	DRAWING No.	PARTS NAME	MATERIAL	FINISH	NOTES
MATERIAL				PARTS NAME		
FINISH				SA-750D TONE ARM		
DESIGNED MAY. 21. 2007 SUGIYA			APPROVED	DRAWING No.		
DRAWN MAY. 21. 2007 HOSODA			CHECKED			
3RD ANGLE PROJECTION UNIT : mm SCALE 1 : 1				JELCO ICHIKAWA JEWEL CO., LTD.		