

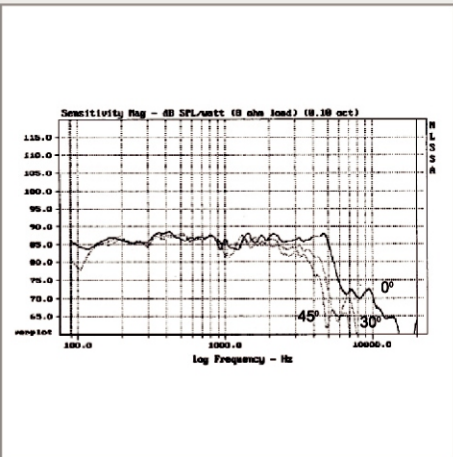
HU 631 NEW – 6" BASS MIDRANGE

Uniflow Diecast Chassis, Hybrid Mgnet Motor



FEATURES:

- Hybrid magnet vented motor
- Large Hexatech aluminum voice coil
- Aluminium diecast chassis
- High power handling
- Shallow profile DCP cone



Specifications

Overall Dimensions		160.5mm(6.51")x68mm(2.57")
Nominal Power Handling (DN)	P	180 W
Transient power 10ms		1500 W
Nominal Impedance	Z	8 Ohms
Sensitivity 1W/1M		88 dB
Frequency Response		20 - 5000 Hz
Resonant Frequency	FS	44 Hz

Voice coil

Voice Coil Diameter	DIA	75mm (3")
Voice Coil Height		14.5mm (0.57")
Voice Coil Former		Aluminum
Voice Coil Wire		Hexatech Aluminum
Number of Layers		2
DC Resistance	RE	6.80 Ohms
Voice Coil Inductance @ 1KHz	LBM	0.63 mH

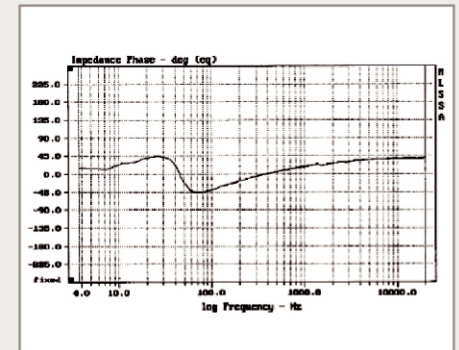
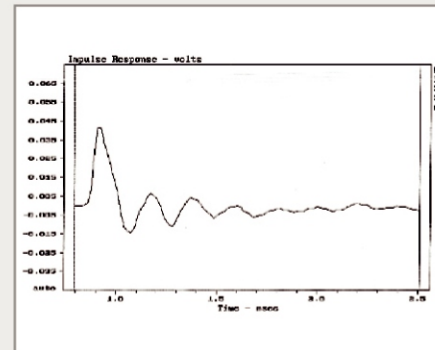
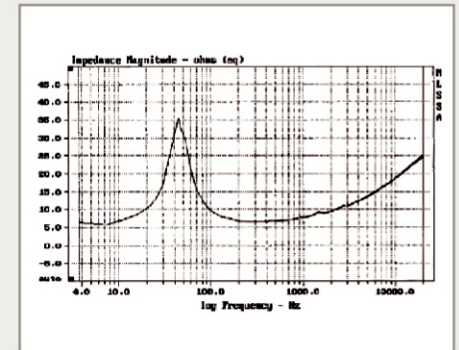
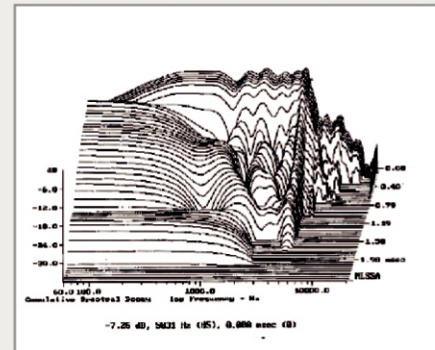
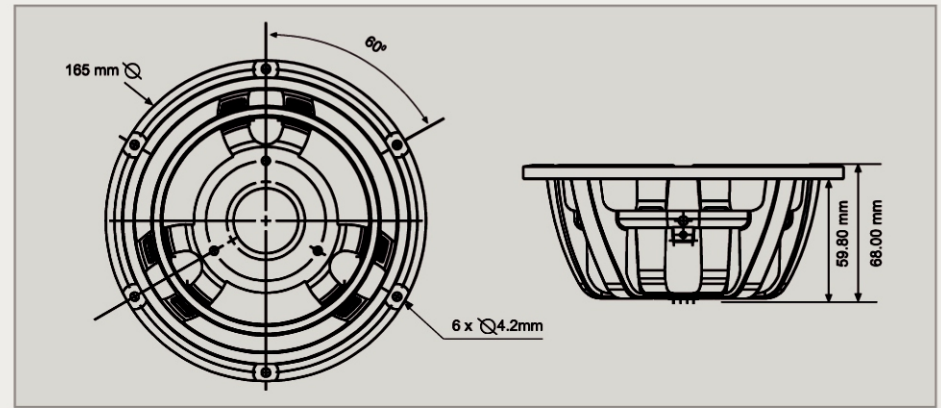
Magnet System

Magnet System Type		Hybrid, Rear Vented
HE - Magnetic Gap Height	HE	6mm (0.24")
B Flux Density	B	0.8 T
BL Product	BXL	8 N.A
Max. Linear Excursion	X	+/-4.25mm (0.167")

Operational Parameters

Suspension Compliance	CMS	980 uM / N
Mechanical Q Factor	QMS	1.81
Electrical Q Factor	QES	0.40
Total Q Factor	Q/T	0.32
Mechanical Resistance	RMS	2.11 Kg.
Moving Mass	MMS	13.87 gm.
Eq. Cas Air Load (liters)	VAS	19.50 L
Cone / Dome Material		DPC
Effective Piston Area	SD	119 cm ²
Net Weight	Kg.	1.18 Kg.

HU 631



morel HIGH FIDELITY



www.morelhifi.com